

FlowCon By-Pass Mini

3 Way By-Pass Unit
DN15/18/20



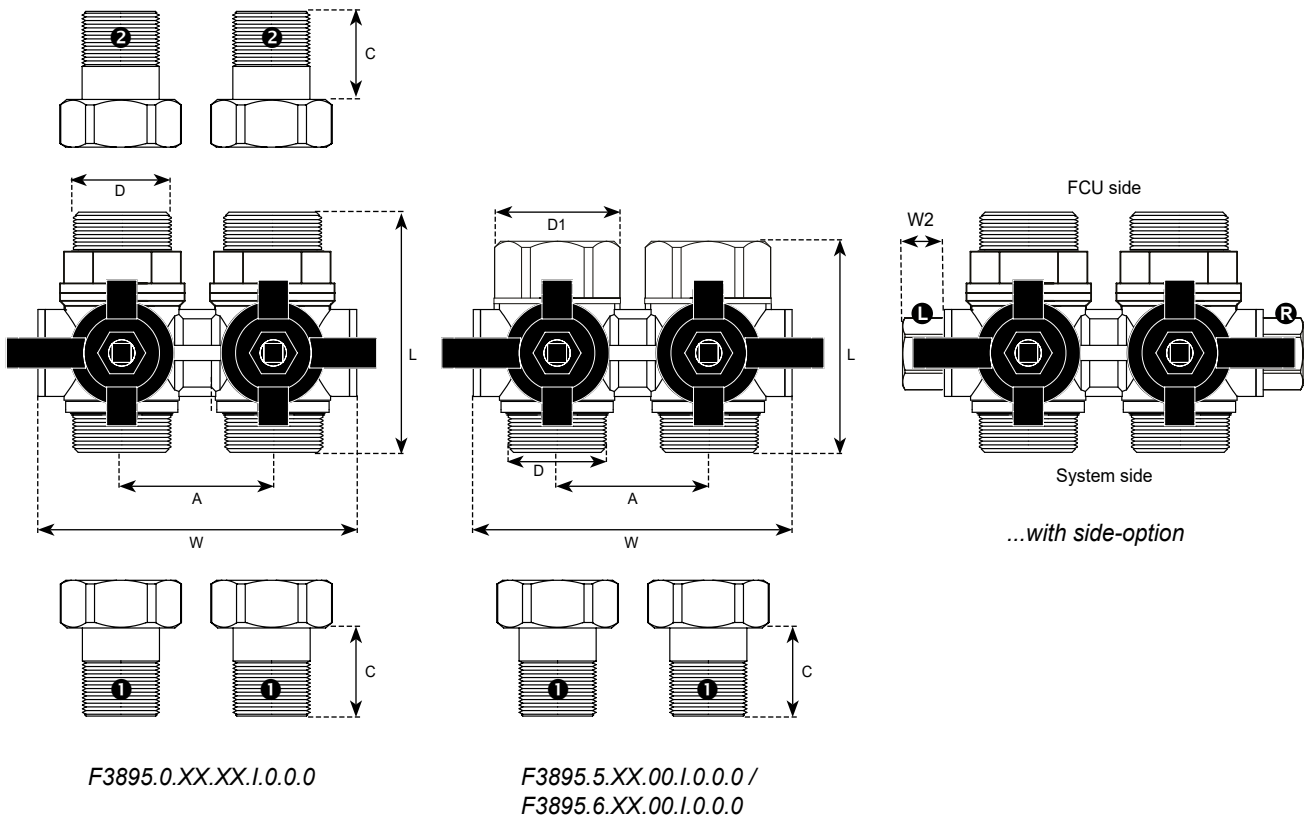
SPECIFICATIONS

Static pressure:	2500 kPa / 360 psi
Media temperature:	-20°C to +130°C / -4°F to +266°F
Material:	
- Housing:	Forged brass DZR ASTM CuZn36Pb2As (CW602N)
- Ball valves:	Chemically nickel-plated brass
- Ball seals:	PTFE (reinforced Teflon)
- O-rings:	EPDM
- Handles:	Painted aluminum
End connections:	Fixed ISO male: 20 mm suitable for DN15/18/20 EuroCone according to EN215, Annex A, Series S, Multiple union end connections available. Fixed ISO female: DN15/20

DIMENSIONS AND WEIGHT (NOMINAL)

Model no.	Valve size		W	L	A	End connections C ¹						W ²	Weight ³
	D	D1				Size	ISO female	ISO male	Compression	Press	Universal		
F3895.5.XX.00.1.0.0.0	G3/4"	15 (1/2)	84 (3.31)	56.5 (2.22)	40 (1.57)	15	32.7	29.0	9.4	35.6	4.1	11.3 (0.44)	0.68 (1.5)
						18/20	-	33.5					
F3895.6.XX.00.1.0.0.0	G3/4"	20 (3/4)	84 (3.31)	56.5 (2.22)	40 (1.57)	15	32.7	29.0	9.4	35.6	4.1	11.3 (0.44)	0.68 (1.5)
						18/20	-	33.5					
F3895.0.XX.XX.1.0.0.0	G3/4"	-	84 (3.31)	62.5 (2.46)	40 (1.57)	15	32.7	29.0	9.4	35.6	4.1	11.3 (0.44)	0.5 (1.1)
						18/20	-	33.5					

Note 1: Add end connection length to housing length.
 Note 2: Add side-option width to housing width (per side-option).
 Note 3: Weight does not include end connections.



MODEL NUMBER SELECTION

F3895

I

By-Pass size, fixed end:

- 0** = 20 mm male suitable for DN15/18/20 EuroCone, no union end connections
- 4** = 20 mm male suitable for DN15/18/20 EuroCone, four union end connections
- 5** = DN15 female, no union end connections
- 6** = DN20 female, no union end connections

Connection size and type, union end⁴:

- 00** = no union end connections

Union end connections (**1** x **2**):

	EuroCone end
Female threaded - for ISO male threaded pipes	AG = DN15 =1/2"
Male threaded - for ISO female threaded pipes	CG = DN15 =1/2" CU = DN20 =3/4"
Compression - for copper or soft steel pipes	HG = DN15 HR = DN18
Press ⁵ - for (stainless) steel pipes	FG = DN15 FR = DN18
Universal flat seal - for flat ends with unions	EX = one-size

Connection standard:

- I** = ISO

Handle type:

- 0** = standard handles
- E** = handles with 4" handle extensions⁶

Side-option:

- 0** = blind (standard)
- R** = 1/4" ISO female threaded in right-hand side
- L** = 1/4" ISO female threaded in left-hand side
- B** = 1/4" ISO female threaded in both sides

Assembly requirement:

- 0** = not assembled (standard)
- 1** = assembled
- 2** = assembled and pressure tested

Example:

F3895.4.CG.CG.I.0.0.0 = FlowCon By-Pass Mini with DN15 ISO male union ends, standard handles and no side-option.

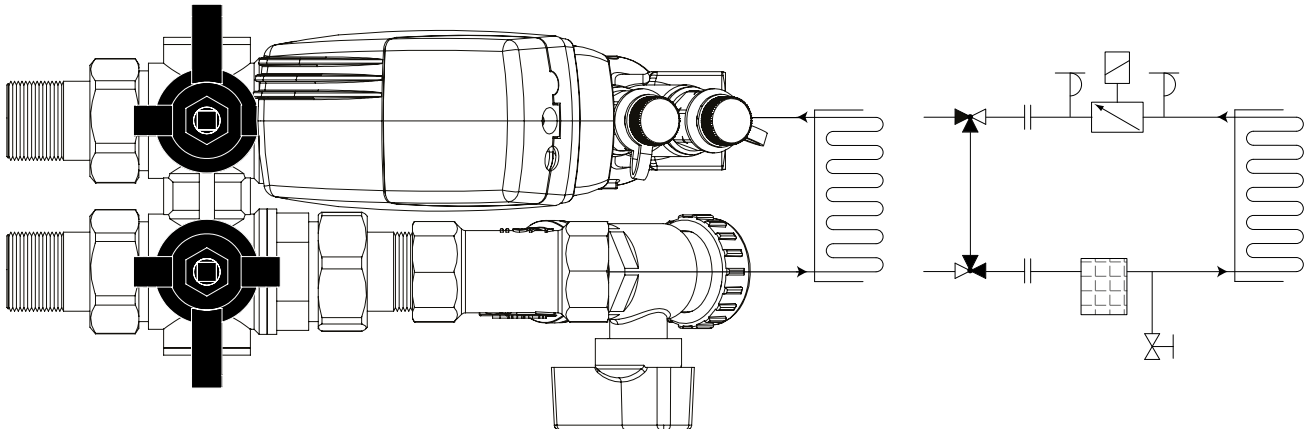
Note 4: Other end connections and sizes available upon request.

Note 5: Extra width compared to standard option.

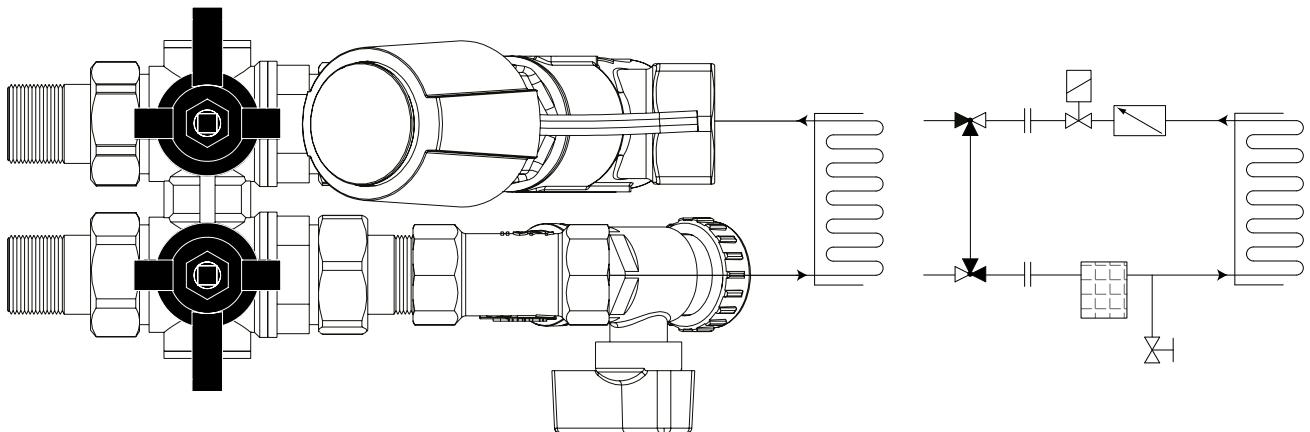
Note 6: When handle extensions are used, valves with actuators cannot be fitted in-line with handles, but must be tilted.

APPLICATION EXAMPLE

FlowCon By-Pass Mini with FlowCon Green



FlowCon By-Pass Mini with FlowCon EVS



UPDATES

For latest updates please see www.flowcon.com

FlowCon International can accept no responsibility for possible errors in any printed material. All rights reserved.