

APPLICATION

Provides controlled resistance in riser branches. Light-weight, compact and space saving wafer design with specially-designed stainless steel memory stop of the gear operator for fine control. Self-locking double regulating function to overcome dynamic closure. Once set, the valve can be closed and re-opened accurately to the pre-set differential pressure.

SPECIFICATION

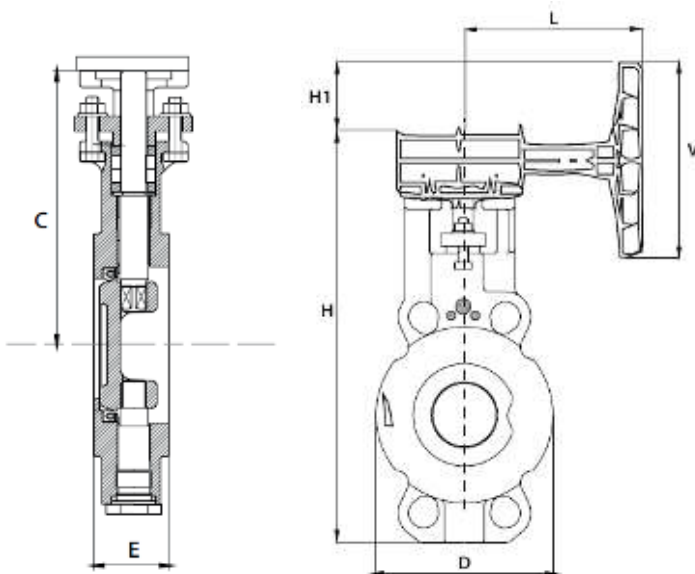
Body:	Carbon Steel A216WCB
Disc:	Stainless Steel X21Cr13
Seat:	R-PTFE [25% fiberglass-reinforced PTFE]
Shaft:	Stainless Steel Z20C13
Connection:	Wafer pattern
Features:	<ul style="list-style-type: none"> • Double offset disc • Zero seat wear • Valve sealing integrity • 100% product tested
Test/Certification:	Bureau Veritas Testing according to API598
Size:	Standard: 50mm—400mm, larger sizes up to 800mm available on request
Working Temperature:	-29 to 225 °C
Max. Working Pressure:	40 Bar up to 200mm, 25 Bar 250mm and up



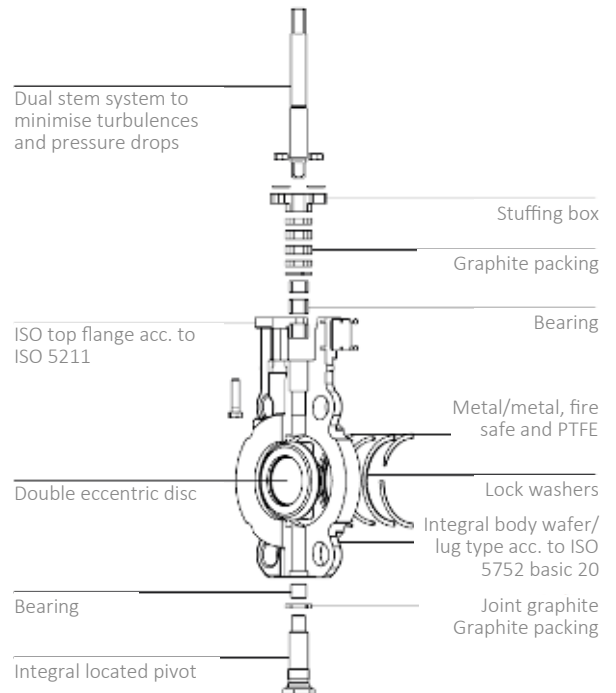
PRODUCT CODES AND DIMENSIONS

Product Code	DN	C	D	E	H	H1	L	V	(Nm)*	Kg	ISO 5211
5590B 09G DRV	50	163	105	44	217	37	155	160	35	6.70	F07
5590B 10G DRV	65	170	125	47	224	44	155	160	50	7.40	F07
5590B 11G DRV	80	174	140	47	228	50	155	160	60	8.40	F07
5590B 12G DRV	100	206	163	53	260	67	155	160	75	10.10	F07
5590B 13G DRV	125	215	193	57	269	81	155	160	135	13.40	F07
5590B 14G DRV	150	317	253	56	401	142	213	200	198	22.90	F10
5590B 16G DRV	200	349	307	60	414	184	213	200	379	30.90	F10
5590B 18G DRV	250	395	348	69	479	155.5	213	315	681	47.90	F10
5590B 20G DRV	300	460	393	79	564	151	213	400	910	68.90	F14
5590B 22G DRV	350	508	448	92	620	195	354	400	1150	96.40	F16
5590B 24G DRV	400	556	542	103	685	244	270	400	1400	146	F16

*Torque excl. Safety



COMPOSITION BUTTERFLY VALVE



PERFORMANCE



The maximum pressure and temperature depend on the pressure/temperature relationship and type of fluid.