

FIVC Butterfly Valve

Ductile Iron – PN 16 – Lugged – Hand lever – Vulcanized – w/Pin – EN 1092-2



LUG series

Technical data

Main features and materials

- Body: Ductile Iron
- Disc: Stainless Steel
- Pin: Stainless Steel
- Stem: Stainless Steel
- Seat: Vulcanized EPDM
- Operation: 15° Notch hand lever - Malleable Iron
- Coating: RAL 5015 (thickness 250 micron)
- USP: Dead-end/center service
- Standard: BS EN 593
- Dimensions: Face-to-Face acc. to BS EN 558 (series 20)
- Type: Drilling: PN 16
Shaft: SS AISI 431
Thread: Metric
- Testing: BS EN 12266-1
- Shell pressure: 2.40 MPa
- Sealing pressure: 1.76 MPa

Field of applications

- Temperature range: -20 to 120 °C
- Max. working pressure: 16 bar
- Petrochemical industry
- Irrigation systems
- Compressed air
- industries
- Textile industry
- Mechanical industry

Description

FIVC Lugged Butterfly Valve with vulcanized seat is designed to be installed in pipelines for isolating or regulating purposes. With its high-quality rotational disc, the valve features quick shut-off function. Due to the integrated pin in the disc, the butterfly valve features much higher strength and can work in higher pressure conditions.

The vulcanized seat ensures that the valve is both suitable for center service and end-of-line service. Furthermore, the valve can be closed and opened precisely because of the non-gap between the shaft and disc.

Declaration

The product has been inspected and tested in accordance with the European PED Directive N° 2014/68/EU, dated 15/05/2014 and is CE marked.

Alternative Product Versions

Disc	Construction	Seat	Operation
<ul style="list-style-type: none"> • Alu-Bronze • Ductile Iron 	<ul style="list-style-type: none"> • Pinless 	<ul style="list-style-type: none"> • Replaceable • Other seats upon request 	<ul style="list-style-type: none"> • Gearbox • Other operations upon request
Threading	Drilling	PN	Size
<ul style="list-style-type: none"> • UNC • Whitworth 	<ul style="list-style-type: none"> • PN 20 • PN 25 • ANSI 150 	<ul style="list-style-type: none"> • PN 20 • PN 25 	<ul style="list-style-type: none"> • DN 40+

Product Information

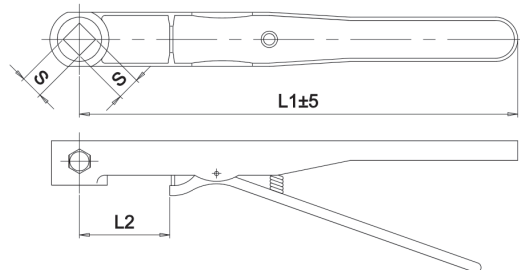
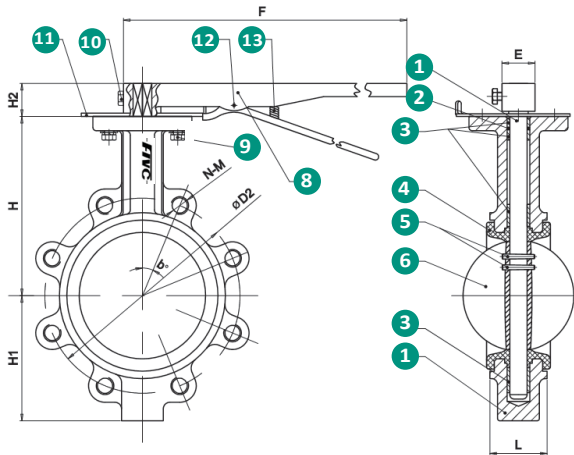
Product code	Size	H	H1	H2	L	ØD2	N-M	b°	E	F	Kg	OTV (N.m)	BTV (N.m)
LUGN50040MNEPV1623	40	105	73	32	33	110	4-M16	45.0	35	223	4.0	15.1	86
LUGN50050MNEPV1623	50	130	85	32	33	125	4-M16	45.0	35	223	4.5	16.0	86
LUGN50065MNEPV1623	65	140	94	32	46	145	4-M16	45.0	35	223	5.5	17.2	86
LUGN50080MNEPV1623	80	145	105	32	46	160	8-M16	22.5	35	223	6.0	23.1	86
LUGN50100MNEPV1623	100	160	126	32	52	180	8-M16	22.5	35	263	9.0	39.8	169
LUGN50125MNEPV1623	125	170	140	32	56	210	8-M16	22.5	35	263	13.5	61.9	291
LUGN50150MNEPV1623	150	190	151	32	56	240	8-M20	22.5	35	263	14.5	102	291
LUGN50200MNEPV1623	200	220	183	35	60	295	12-M20	15.0	48	358	20.0	192	465

Dimensions are in millimeters • OTV: Operation Torque Value • BTV: Breaking Torque Value

FIVC Butterfly Valve

Ductile Iron – PN 16 – Lugged – Hand lever – Vulcanized – w/Pin – EN 1092-2

Dimensions



Product Specification

N°	Name	Material
1	Body	Ductile Iron GGG40
2	O-Ring	NBR
3	Bushing	Brass
4	Seat	EPDM - Vulcanized
5	Pin	Stainless Steel 316
6	Disc	Stainless Steel CF8M
7	Stem	Stainless Steel 431
8	Handle	Malleable Iron + Epoxy
9	Bolt	Stainless Steel 316
10	Bolt	Stainless Steel 316
11	Notch	Stainless Steel 316
12	Splint Pin	65 MN + Epoxy
13	Spring	65 MN + Epoxy

Product Information

Product code	L1	L2	SxS
DN 40	223	55	9x9
DN 50	223	55	9x9
DN 65	223	55	11x11
DN 80	223	55	11x11
DN 100	261	55	14x14
DN 125	261	55	14x14
DN 150	261	55	14x14
DN 200	358	76	17x17