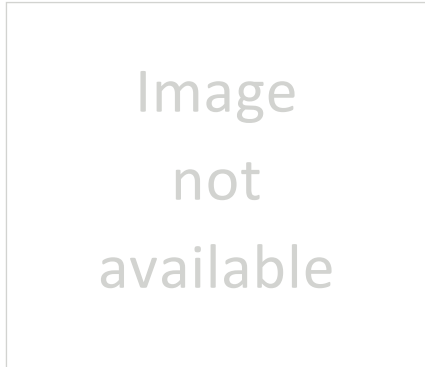


# FIVC Butterfly Valve

Ductile Iron – PN 25 – Wafer – Hand lever – Vulcanized – w/Pin – EN 1092-2



## Technical data

### Main features and materials

- Body: Ductile Iron
- Disc: Stainless Steel
- Pin: Stainless Steel
- Stem: Stainless Steel
- Seat: Vulcanized EPDM
- Operation: 15° Notch handlever in Malleable Iron
- Coating: Epoxy
- USP: Maintenance and installation efficient
- Standard: BS EN 593
- Dimensions: Face-to-Face acc. to EN 558 (series 20)
- Inspection test: BS EN 12266-1
- Type:
  - Drilling: PN 25
  - Shaft: SS AISI 431
  - Thread: Wafer

### Field of applications

- Temperature range: -15 to 120 °C
- Max. working pressure: 25 bar
- Water treatment plants and Water distribution
- HVAC (Heat Ventilation Air Conditioning)
- Fire fighting
- General services
- Irrigation
- Shipbuilding
- Powdery products

WAF series

## Description

FIVC Wafer Butterfly Valve with its vulcanized seat is designed to be installed in pipelines for isolating or regulating purposes. With its high quality rotational disc, the valve features quick shut-off function.

Due to the integrated pin in the disc, the butterfly valve features much higher strength and can work in higher pressure conditions. Furthermore, the valve can be closed and opened precisely because of the non-gap between the shaft and disc.

## Declaration

The product has been inspected and tested in accordance with the European PED Directive N° 2014/68/EU, dated 15/05/2014 and is CE marked.

## Alternative Product Versions

Disc	Construction	Seat	Operation
<ul style="list-style-type: none"> <li>• Ductile Iron</li> <li>• Alu-Bronze</li> </ul>	<ul style="list-style-type: none"> <li>• Pinless</li> </ul>	<ul style="list-style-type: none"> <li>• Replaceable</li> <li>• Other seats upon request</li> </ul>	<ul style="list-style-type: none"> <li>• Gearbox</li> <li>• Other operations upon request</li> </ul>
Drilling	PN	Size	
<ul style="list-style-type: none"> <li>• PN 16</li> <li>• PN 20</li> <li>• ANSI 150</li> </ul>	<ul style="list-style-type: none"> <li>• PN 16</li> <li>• PN 20</li> </ul>	<ul style="list-style-type: none"> <li>• DN 40+</li> </ul>	

## Product Information

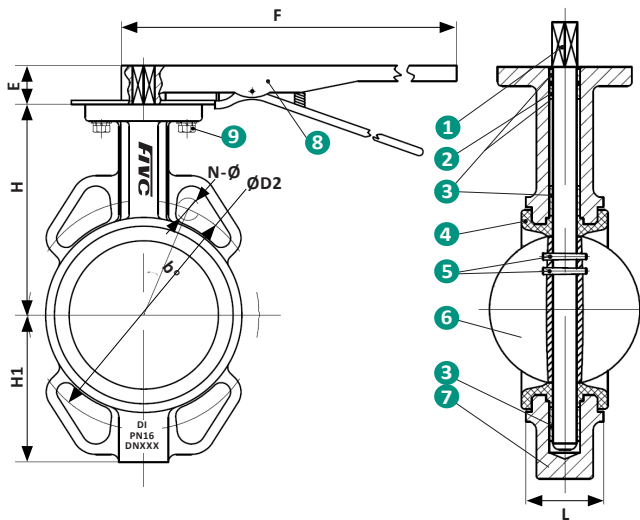
Product code	Size (DN)	H*	H1*	H2*	L*	ØD2*	N-M	b**	E*	F*	Kg	OTV (N.m)	BTV (N.m)
WAFN50040MNEPV2520	40	105	73	32	33	110	4-Ø19	45	35	223	3.7	23	86
WAFN50050MNEPV2520	50	130	85	32	33	125	4-Ø19	45	35	223	3.9	23	86
WAFN50065MNEPV2520	65	140	94	32	46	145	4-Ø19	22.5	35	223	4.5	26	86
WAFN50080MNEPV2520	80	145	105	32	46	160	4-Ø19	22.5	35	223	5.5	35	86
WAFN50100MNEPV2520	100	160	126	32	52	190	4-Ø23	22.5	35	223	7.7	60	169
WAFN50125MNEPV2520	125	170	140	32	56	220	4-Ø28	22.5	35	223	10	93	291
WAFN50150MNEPV2520	150	190	151	32	56	250	4-Ø28	22.5	35	223	12	153	291

\*Dimensions are in millimeters • OTV: Operation Torque Value • BTV: Breaking Torque Value

# FIVC Butterfly Valve

Ductile Iron – PN 25 – Wafer – Hand lever – Vulcanized – w/Pin – EN 1092-2

## Dimensions



## Product Specification

N°	Name	Material
1	Stem	Stainless Steel SS 431
2	O-Ring	NBR
3	Bushing	Brass C836600 + C37700
4	Seat	Vulcanized EPDM
5	Pin	Stainless Steel SS 316 DN 40-100: 1 pcs. DN 125-200: 2 pcs.
6	Disc	Stainless Steel CF8M
7	Body	Ductile Iron GGG 40
8	Handle	Malleable Iron
9	Bolt	Stainless Steel SS 316