

FlowCon By-Pass 2-Union

2-union 3 Way By-Pass Unit
DN15-50 / 1/2"-2"



SPECIFICATIONS

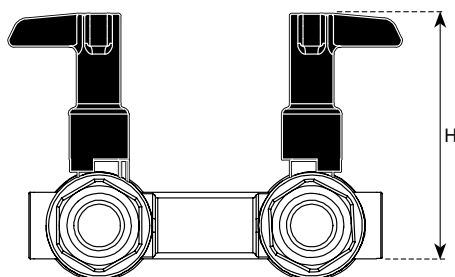
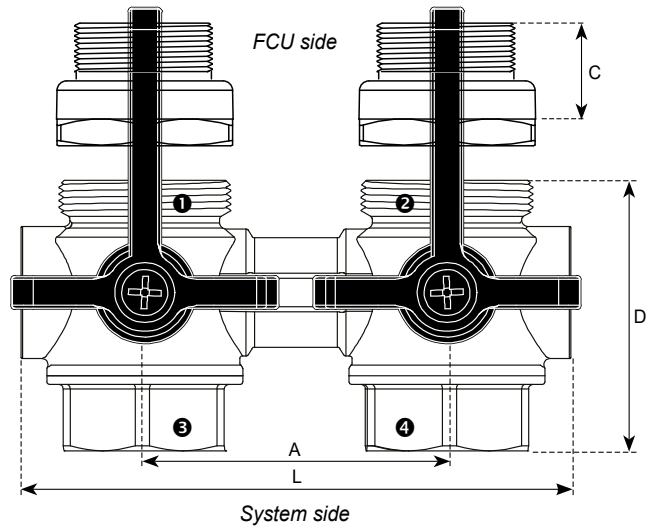
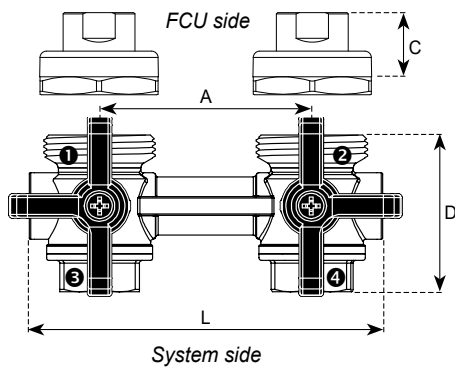
Static pressure:	2500 kPa / 360 psi
Media temperature:	-20°C to +120°C / -4°F to +248°F
Material:	
- Housing:	Forged brass DZR ASTM CuZn36Pb2As (CW 602N)
- O-rings:	EPDM (70 shore)
- Ball valves:	Chemically nickel-plated brass
- Union end connections:	Brass alloy
- Handles:	Painted aluminum
End connections ¹ :	System side: Fixed female ISO FCU side: Union end connection, ISO or NPT.

Note 1: NPT only available ex. US-factory.

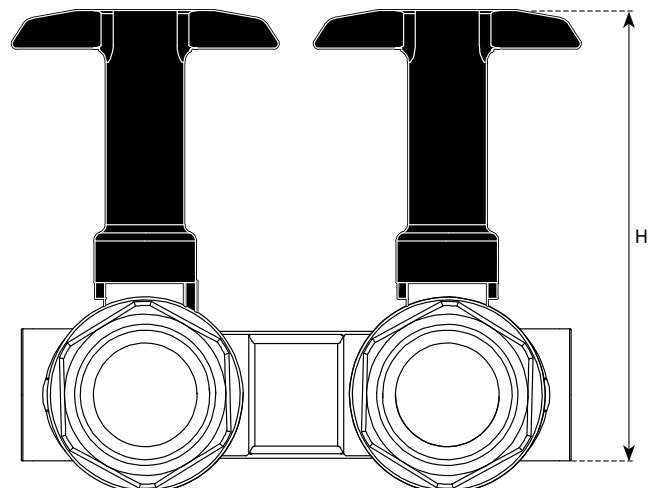
DIMENSIONS AND WEIGHT (NOMINAL)

Model no.	Model size	L	D	A	H	End connections C ¹				Weight ²
						Valve size	Female	Male	Sweat	
F3910.XX	15 (1/2)	132.5 (5.22)	57.5 (2.26)	80 (3.15)	80 (3.15)	15 (1/2)	22 (0.87)	24 (0.95)	20 (0.79)	0.699 (1.54)
	20 (3/4)					22 (0.87)	25 (0.99)	20 (0.79)	0.692 (1.53)	
	25 (1)					-	39 (1.54)	22 (0.87)	0.690 (1.52)	
	32 (1 1/4)	191.0 (7.52)	94.0 (3.70)	105 (4.13)	134 (5.28)	25 (1)	35 (1.38)	40 (1.57)	34 (1.34)	2.52 (5.56)
	40 (1 1/2)					32 (1 1/4)	33 (1.3)	40 (1.57)	34 (1.34)	2.58 (5.69)
	50 (2)					40 (1 1/2)	33 (1.3)	42 (1.65)	-	2.38 (5.25)

Note 1: Add end connection length to By-Pass unit length, D.
 Note 2: Weight does not include connections.



FlowCon F3900.XX
 fixed end DN15/20/25 (1/2", 3/4", 1")
 and union end DN15/20/25 (1/2", 3/4", 1")



FlowCon F3900.XX
 fixed end DN32/40/50 (1 1/4", 1 1/2", 2")
 and union end DN25/32/40 (1, 1 1/4", 1 1/2")

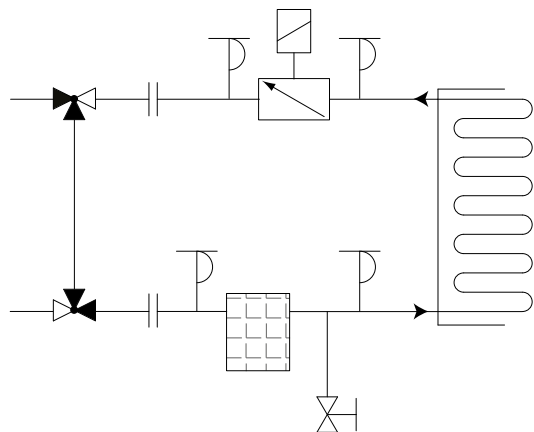
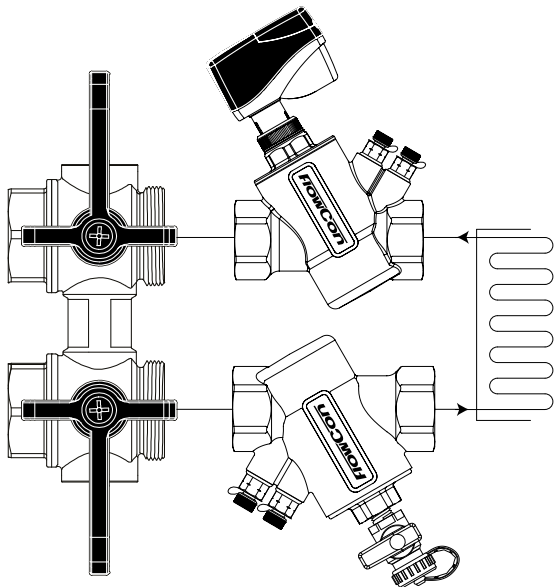
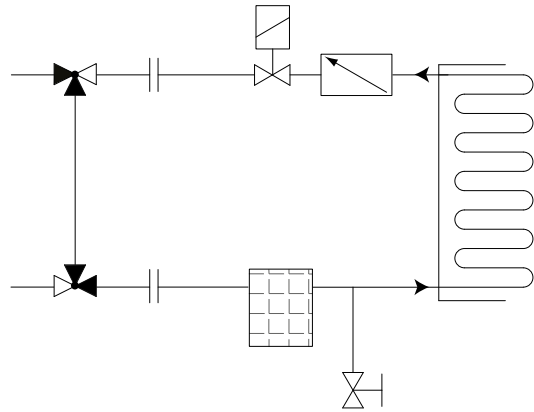
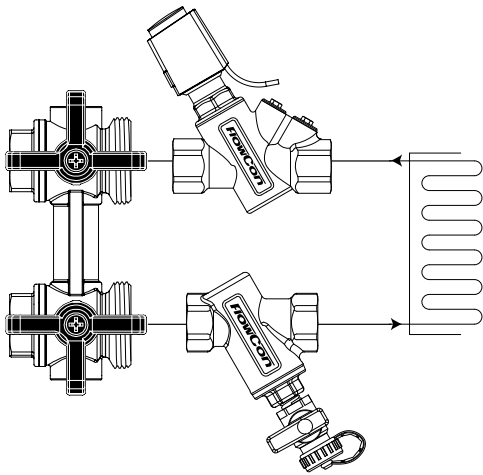
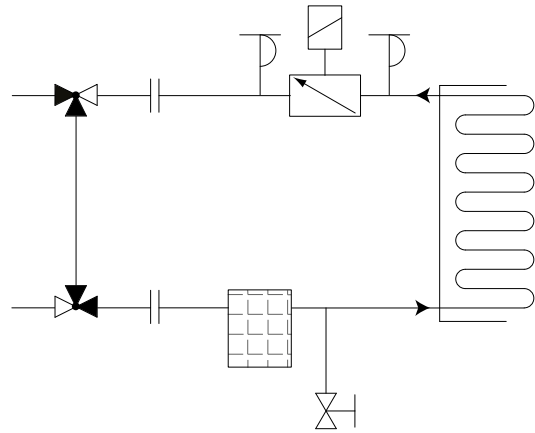
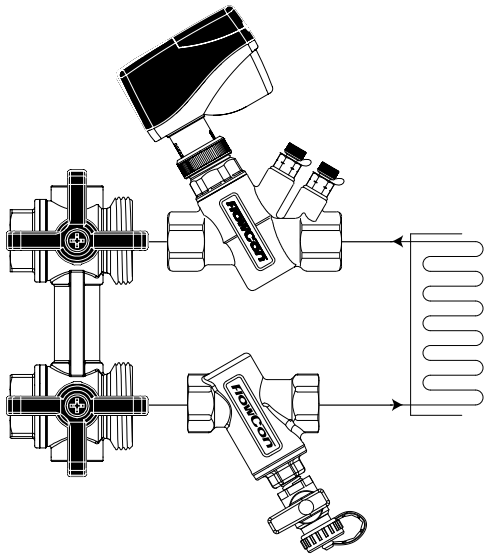
MODEL NUMBER SELECTION

<p>By-pass size, fixed end (③ and ④):</p> <p>15 = female DN15 (1/2")</p> <p>20 = female DN20 (3/4")</p> <p>25 = female DN25 (1")</p> <p>32 = female DN32 (1 1/4")</p> <p>40 = female DN40 (1 1/2")</p> <p>50 = female DN50 (2")</p>				<p>F3910 I</p>	
<p>Connection size and type, union end (① and ②):</p> <p>00 = no union ends</p>					
Model and size	Female threaded	Male treaded	Sweat		
F3910.XX. with union ends, DN15-25, 1/2"-1"	E = 15 mm / 1/2" F = 20 mm / 3/4"	H = 15 mm / 1/2" I = 20 mm / 3/4" J = 25 mm / 1"	K = 15 mm L = 18 mm M = 22 mm O = 1/2" R = 3/4" U = 1"		
F3910.XX. with union ends, DN25-40, 1"-1 1/2"	G = 25 mm / 1" P = 32 mm / 1 1/4" Q = 40 mm / 1 1/2"	J = 25 mm / 1" S = 32 mm / 1 1/4" T = 40 mm / 1 1/2"	N = 28 mm W = 35 mm V = 1 1/4" W = 1 1/2"		
<p>Connection standard:</p> <p>I = ISO (standard)</p>					
<p>Assembly requirement:</p> <p>0 = not assembled (standard)</p> <p>1 = assembled</p> <p>2 = assembled and pressure tested</p>					

Example:

F3910.20.F.F.I.0 = DN20 (3/4") fixed female FlowCon By-pass 2-union with DN20 (3/4") female union end connections, ISO, not assembled.

APPLICATION AND SCHEMATIC EXAMPLES (...continued)



UPDATES

For latest updates please see www.flowcon.com

FlowCon International can accept no responsibility for possible errors in any printed material. All rights reserved.