

FIVC Butterfly Valve

Ductile Iron – PN 16 – Lugged – Gearbox – Replaceable – w/Pin – WRAS – EN 1092-2



LUG series

Technical data

Main features and materials

- Body: Ductile Iron
- Disc: Stainless Steel
- Pin: Stainless Steel
- Stem: Stainless Steel
- Seat: Replaceable EPDM
- Operation: Gearbox in Ductile Iron
- Coating: Epoxy
- USP: Maintenance and installation efficient
WRAS approval
- Standard: BS EN 593
- Dimensions: BS EN 1092-2
- Type: Drilling: PN 16
Shaft: SS AISI 410
Thread: Metric

Field of applications

- Temperature range: -15 to 85 °C
- Max. working pressure: 16 bar
- Water treatment plants and Water distribution
- HVAC (Heat Ventilation Air Conditioning)
- Fire fighting
- General services
- Irrigation
- Shipbuilding
- Powdery products

Description

FIVC Lugged Butterfly Valve with its replaceable seat is designed to be installed in pipelines for isolating or regulating purposes. With its high quality rotational disc, the valve features quick shut-off function.

Due to the integrated pin in the disc, the butterfly valve features higher strength and can work in higher pressure conditions.

Furthermore, the valve can be closed and opened precisely because of the non-gap between the shaft and disc.

The valve can be used for water.

Declaration

The product has been inspected and tested in accordance with the European PED Directive N° 2014/68/EU, dated 15/05/2014.



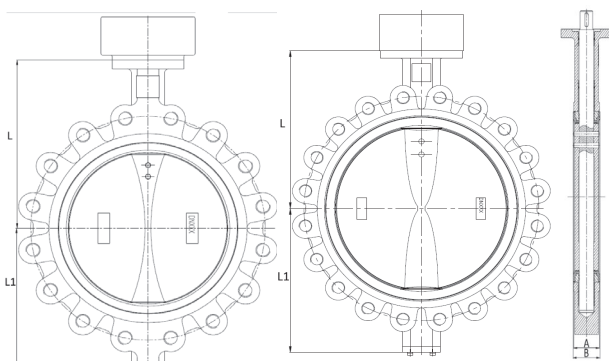
Alternative Product Versions

Disc	Standard	Seat	Operation
<ul style="list-style-type: none"> • Ductile Iron 	<ul style="list-style-type: none"> • BS 5155 • ISO 5752 • MSS SP-67 • API 609 	<ul style="list-style-type: none"> • Vulcanized • Other seats upon request 	<ul style="list-style-type: none"> • 15° Notch operation and lever • Other operations upon request
Threading	Drilling	PN	Size
<ul style="list-style-type: none"> • UNC • Whitworth 	<ul style="list-style-type: none"> • PN 20 • PN 25 • ANSI 150 	<ul style="list-style-type: none"> • PN 10 • PN 25 	<ul style="list-style-type: none"> • DN 50+

Dimensions

DN 50-300

DN 350-600



Product code	Size (DN)	L	L1	A	B	PCD	N-M
LUGN50050MDVEPR1683	50	141.2	68.5	42	46.1	ø125	4-M16
LUGN50065MDVEPR1683	65	150.4	76	44.5	49.1	ø145	4-M16
LUGN50080MDVEPR1683	80	156.4	98.6	44.5	49.1	ø160	8-M16
LUGN50100MDVEPR1683	100	167.9	118.7	51	55.5	ø180	8-M16
LUGN50125MDVEPR1683	125	186.5	129.4	54.5	58.8	ø210	8-M16
LUGN50150MDVEPR1683	150	205.7	142	54.5	59.1	ø240	8-M20
LUGN50200MDVEPR1683	200	230.6	176	59.6	64.1	ø295	12-M20
LUGN50250MDVEPR1683	250	269.9	208.8	67	71.8	ø355	12-M24
LUGN50300MDVEPR1683	300	327.8	248.5	75.5	79.5	ø410	12-M24
LUGN50350MDVEPR1683	350	368	267	76	81	-	-
LUGN50400MDVEPR1683	400	400	309	102	107	-	-
LUGN50450MDVEPR1683	450	422	327	114	119	-	-
LUGN50500MDVEPR1683	500	480	361	127	132.5	-	-
LUGN50600MDVEPR1683	600	562	459	151	157.5	-	-

Dimensions are in millimeters

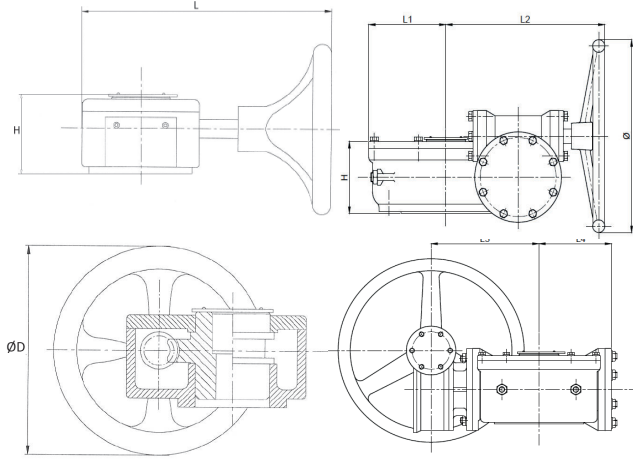
FIVC Butterfly Valve

Ductile Iron – PN 16 – Lugged – Gearbox – Replaceable – w/Pin – WRAS – EN 1092-2

Dimensions

DN 50-300

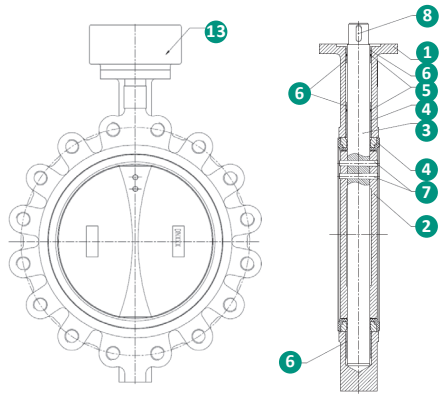
DN 350-600



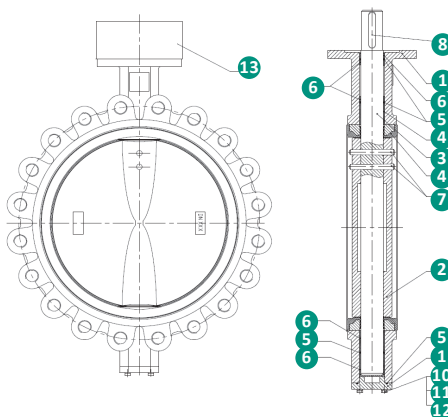
DN	L1	L2	L3	L4	H	Ø
50-150	52	118	129	-	70	150
200-250	75	191	171	-	80	280
300-350	80	186	198	-	80	280
400	80	186	198	-	80	385
450-500	125	273	280	-	80	400
600	107	260	175	107	99	385

Product Specification

DN 50-350



DN 400-600



N°	Name	Material
1	Body	Ductile Iron A536 Gr. 65-45-12
2	Disc	Stainless Steel A351 CF8M
3	Shaft	Stainless Steel A276 SS 410
4	Seat	EPDM
5	O-Ring	EPDM
6	Bushing	Bronze B62 C83600
7	Pin	Stainless Steel BS970 316S11
8	Key	Carbon Steel ASTM 1045
9	Cover	Ductile Iron A536 Gr. 65-45-12
10	Washer	Stainless Steel BS970 304S15
11	Spring washer	Stainless Steel BS970 304S15
12	Bolt	Stainless Steel BS970 304S15
13	Gearbox	--