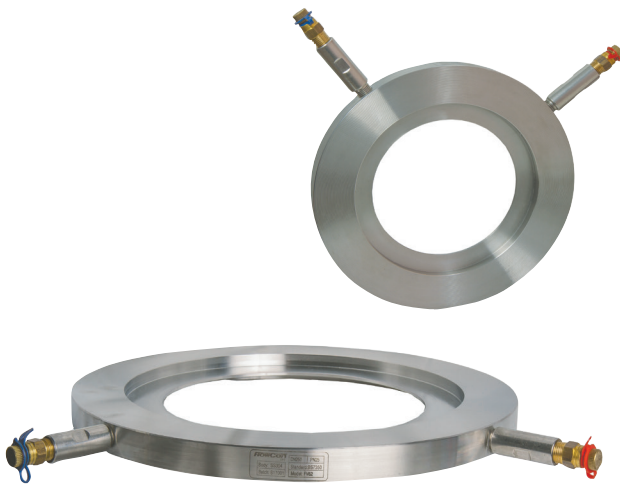


# FIVC Metering Station

Stainless Steel – PN 16 – Wafer – EN 1092-2



FOP series

## Technical data

### Main features and materials

- Body: Stainless Steel
- Extension rod: Stainless Steel
- Test points: DZR Brass
- USP: Upstream/downstream identification colors for test points.  
Horizontal and vertical installation.  
Accurate flow measurement  
Cost and maintenance efficient

### Field of applications

- Temperature range: -20 to 120 °C
- Max. working pressure: 16 bar
- Heating and chilled water HVAC systems

## Description

FIVC Metering Station Valve is a precision manufactured product that has the purpose to measure the accurate water flow in HVAC systems. With its robust design, this Metering Station can fit between many sizes of EN 1092-2 flanges. In order to be able to identify upstream and downstream ports, two different colors are used for the integrated orifice test points (*Upstream: Red - Downstream: Blue*).

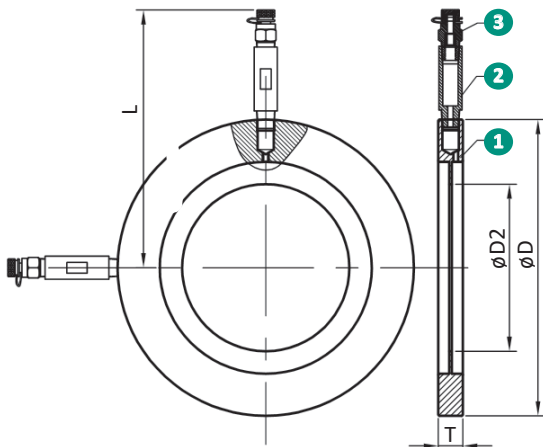
Please note that the fluid to be transported is limited to non-hazardous Group 2 liquids and on no account must the

metering station be used on Group 1 gases, Group 1 liquids and Group 2 gases.

## Declaration

The product has been manufactured and tested in accordance with the European PED Directive No 2014/68/EU, dated 15/05/2014 and is CE marked.

## Dimensions



## Product Information

Product code	Size	L	ØD	ØD2	T	Kvs	Kg
FOP050ST16511	50	135.5	108.0	39.0	20	47.5	1.3
FOP065ST16511	65	145.0	127.0	54.0	20	88.6	1.7
FOP080ST16511	80	152.5	142.0	65.0	20	150.6	2.0
FOP100ST16511	100	163.3	163.5	84.0	20	281.1	2.3
FOP125ST16511	125	178.3	193.5	103.0	20	328.8	3.0
FOP150ST16511	150	191.5	220.0	125.2	20	477.5	3.3
FOP200ST16511	200	218.8	274.5	164.0	20	826.0	4.7
FOP250ST16511	250	246.5	330.0	202.5	20	1218.0	5.9
FOP300ST16511	300	274.0	385.0	243.5	20	1794.0	7.6
FOP350ST16511	350	304.0	445.0	270.0	20	2128.3	12.3
FOP400ST16511	400	329.0	495.0	308.0	20	2765.8	14.0
FOP450ST16511	450	359.0	555.0	342.0	30	3375.4	25.7
FOP500ST16511	500	390.0	617.0	388.0	30	4407.1	32.1
FOP600ST16511	600	448.5	734.0	478.0	30	6860.9	41.8

\*Dimensions are in millimeters • The CV and KV values are related to the differential pressure.

## Product Specification

N°	Name	Material
1	Body	Stainless Steel SS 304
2	Extension rod	Stainless Steel SS 304
3	Test point	DZR Brass

# FIVC Metering Station

Stainless Steel – PN 16 – Wafer – EN 1092-2

## Flowrate Measurement Graph

