

FIVC Butterfly Valve

Ductile Iron – PN 16 – Wafer – Gearbox – Replaceable – w/Pin – WRAS – EN 1092-2



WAF series

Technical data

Main features and materials

- Body: Ductile Iron
- Disc: Ductile Iron
- Pin: Stainless Steel
- Stem: Stainless Steel
- Seat: Replaceable EPDM
- Operation: Gearbox in Ductile Iron
- Coating: Epoxy
- USP: Maintenance and installation efficient
WRAS approval
- Standard: BS EN 593
- Dimensions: BS EN 1092-2
- Type: Drilling: PN 16
Shaft: SS AISI 410
Thread: Wafer

Field of applications

- Temperature range: -15 to 85 °C
- Max. working pressure: 16 bar
- Water treatment plants and Water distribution
- HVAC (Heat Ventilation Air Conditioning)
- Fire fighting
- General services
- Irrigation
- Shipbuilding
- Powdery products

Description

FIVC Wafer Butterfly Valve with its replaceable seat is designed to be installed in pipelines for isolating or regulating purposes. With its high quality rotational disc, the valve features quick shut-off function.

Due to the integrated pin in the disc, the butterfly valve features higher strength and can work in higher pressure conditions.

Furthermore, the valve can be closed and opened precisely because of the non-gap between the shaft and disc.

The valve can be used for drinking water.

Declaration

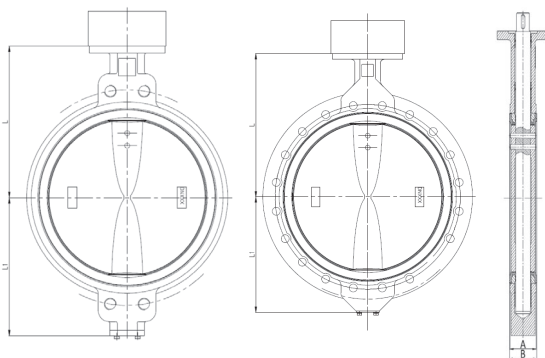
The product has been inspected and tested in accordance with the European PED Directive N° 2014/68/EU, dated 15/05/2014.



Alternative Product Versions

Disc	Standard	Seat	Operation
<ul style="list-style-type: none"> • Stainless Steel 	<ul style="list-style-type: none"> • BS 5155 • ISO 5752 • MSS SP-67 • API 609 	<ul style="list-style-type: none"> • Vulcanized 	<ul style="list-style-type: none"> • 15° Notch hand lever • Other operations upon request
Drilling	PN	Size	
<ul style="list-style-type: none"> • PN 20 • PN 25 • ANSI 150 	<ul style="list-style-type: none"> • PN 10 • PN 25 	<ul style="list-style-type: none"> • DN 50+ 	

Dimensions



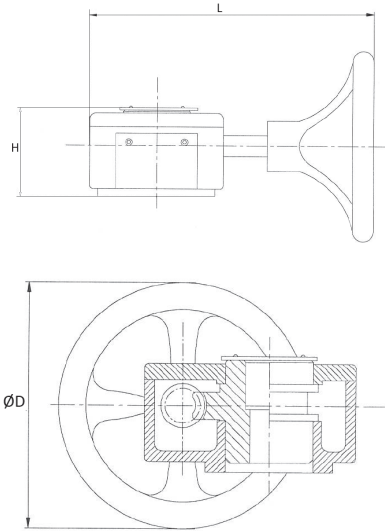
Product code	Size (DN)	L	L1	A	B
WAFN30065MDVEPR1632	65	141.2	68.5	42	46.1
WAFN30080MDVEPR1632	80	150.4	76	44.5	49.1
WAFN30100MDVEPR1632	100	156.4	98.6	44.5	49.1
WAFN30125MDVEPR1632	125	167.9	118.7	51	55.5
WAFN30150MDVEPR1632	150	186.5	129.4	54.5	58.8
WAFN30200MDVEPR1632	200	205.7	142	54.5	59.1
WAFN30250MDVEPR1632	250	230.6	176	59.6	64.1
WAFN30300MDVEPR1632	300	327.8	248.5	75.5	79.5
WAFN30350MDVEPR1632	350	368	267	76	81
WAFN30400MDVEPR1632	400	400	333	102	107
WAFN30450MDVEPR1632	450	422	364	114	119
WAFN30500MDVEPR1632	500	480	389	127	132.5
WAFN30600MDVEPR1632	600	562	453	151	157.5

Dimensions are in millimeters

FIVC Butterfly Valve

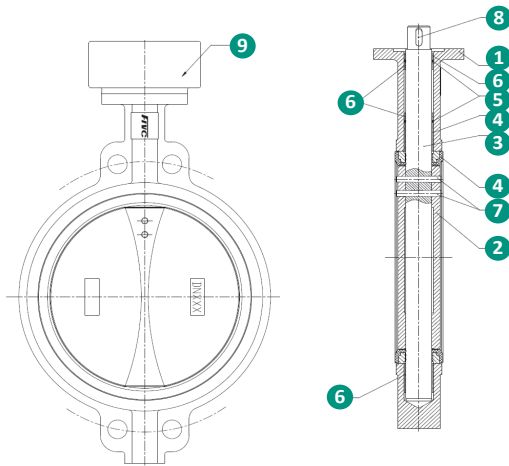
Ductile Iron – PN 16 – Wafer – Gearbox – Replaceable – w/Pin – WRAS – EN 1092-2

Dimensions



DN	L	H	ØD	ISO 5211
50-150	205	65	150	F05
200-250	295	79	285	F10
300-350	292	80	285	F10
400-450	400	99	385	F14
500-600	480	150	397	F14/F16

Product Specification



N°	Name	Material
1	Body	Ductile Iron A536 Gr. 65-45-12
2	Disc	Ductile Iron
3	Shaft	Stainless Steel A276 SS 410
4	Seat	EPDM
5	O-Ring	EPDM
6	Bushing	Bronze B62 C83600
7	Pin	Stainless Steel BS970 316S11
8	Key	Carbon Steel ASTM 1045
9	Gearbox	--