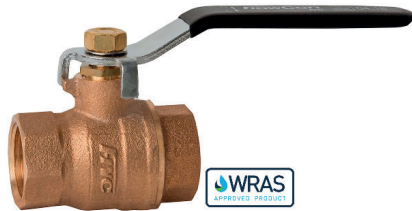


FIVC Ball Valve

Bronze – PN 25 – Full Port – WRAS – ISO 228



FBA series

Technical data

Main features and materials

- Body: Bronze CC491K
- Gasket: Steel 65 Mn
- Stem: Brass CW614N
- Ball: Brass CuZn39Pb3
- Lever handle: Mild Steel
- Seat: PTFE
- USP: WRAS approval
Compact settlement
Environment-friendly

Field of applications

- Max. temperature: 170 °C
- Max. working pressure: 25 bar
- Water distribution
- Oil distribution
- Gas distribution
- Heat engineering
- Refrigeration and air conditioning

Description

The FIVC Ball Valve is designed as a quarter-turn, full port valve for use in pipeline isolation.

The benefits of using ball valves include among others their durability and reliability. The ball valve is an excellent choice for shutoff and controlling media flow. Further, the full port functionality reduces friction loss in the pipeline.

In addition, the ball valve ensures cost- and maintenance efficiency due to its long lifespan and excellent performance. This ball valve is suitable for Drinking Water, Steam, Oil, and Gas.

Alternative Product Versions

Other Standards

ANSI • ASME B1.20.1 • NPT

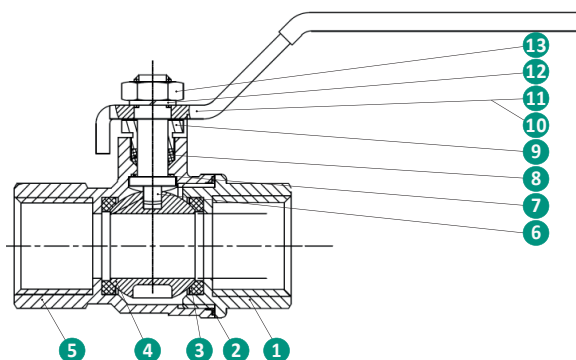
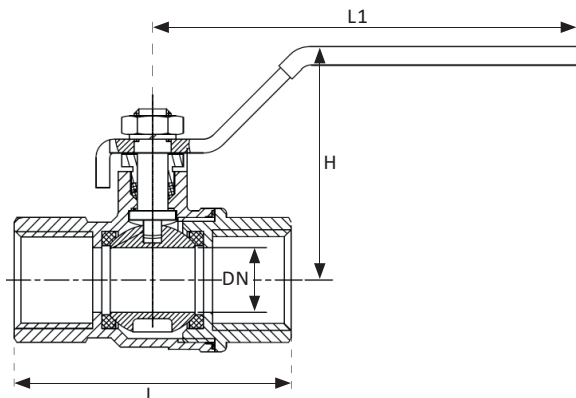
ISO 7/1 Rc/Rp threads

Declaration

The product has been inspected and tested in accordance with the Sound Engineering Practice SEP. Acc. to the European PED Directive N° 2014/68/EU, dated 15/05/2014, the product is exempted from CE marking (Cf. Art. 4.3).

This product is WRAS approved.

Dimensions



Product code	Size	L	L1	d	H	Kg
FBA015025F212012112	15	53	95	14	44	0.228
FBA020025F212012112	20	61	110	19	51	0.366
FBA025025F212012112	25	71	110	24	55	0.539
FBA032025F212012112	32	85	140	31	65	0.838
FBA040025F212012112	40	92	140	38	70	1.133
FBA050025F212012112	50	114	160	49	83	1.88

Dimensions are in millimeters

Product Specification

N°	Name	Material
1	Seat retainer	Bronze CC491K BS EN 1982
2	Gasket	PTFE
3	Seat	PTFE
4	Ball	Brass CW614N BS EN 12164
5	Body	Bronze CC491K BS EN 1982
6	Stem	Brass CW614N BS EN 12164
7	Stem gasket	PTFE
8	Packing	PTFE
9	Gland nut	Brass CW614N BS EN 12164
10	Lever	Mild Steel
11	Lever cover	PVC
12	Gasket	Steel 65 Mn
13	Lever nut	Brass CW614N BS EN 12164