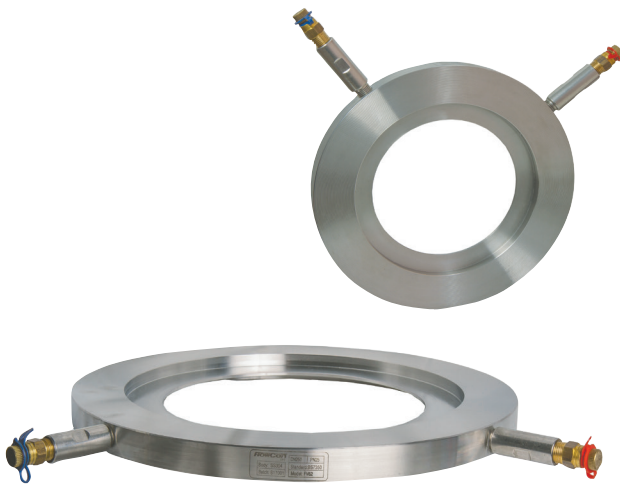


FIVC Metering Station

Stainless Steel – PN 40 / PN 25 – Wafer – EN 1092-2



FOP series

Technical data

Main features and materials

- Body: Stainless Steel
- Extension rod: Stainless Steel
- Test points: DZR Brass
- USP: Upstream/downstream identification colors for test points.
Horizontal and vertical installation.
Accurate flow measurement
Cost and maintenance efficient

Field of applications

- Temperature range: -20 to 120 °C
- Max. working pressure: 40 bar (DN 50 - 200)
- Max. working pressure: 25 bar (DN 250 - 600)

- Heating and chilled water HVAC systems

Description

FIVC Metering Station Valve is a precision manufactured product that has the purpose to measure the accurate water flow in HVAC systems. With its robust design, this Metering Station can fit between many sizes of EN 1092-2 flanges. In order to be able to identify upstream and downstream ports, two different colors are used for the integrated orifice test points (*Upstream: Red - Downstream: Blue*).

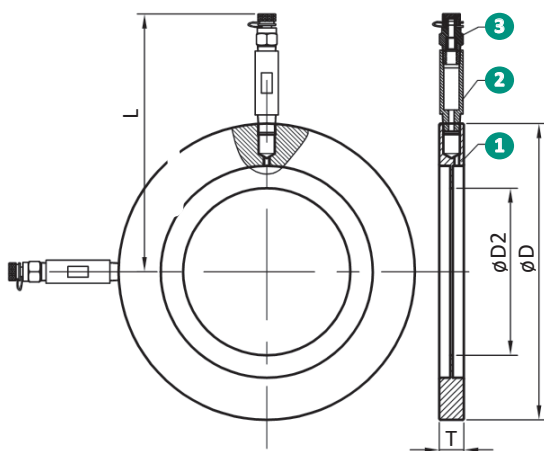
Please note that the fluid to be transported is limited to non-hazardous Group 2 liquids and on no account must the

metering station be used on Group 1 gases, Group 1 liquids and Group 2 gases.

Declaration

The product has been manufactured and tested in accordance with the European PED Directive No 2014/68/EU, dated 15/05/2014 and is CE marked.

Dimensions



Product Information

Product code	Size	L	ØD	ØD2	T	MWP	Kvs	Kg
FOP050ST25511	50	135.5	108.0	39.0	20	25/40	47.5	1.3
FOP065ST25511	65	145.0	127.0	54.0	20	25/40	88.6	1.7
FOP080ST25511	80	152.5	142.0	65.0	20	25/40	150.6	2.0
FOP100ST25511	100	165.5	168.0	84.0	20	25/40	281.1	2.5
FOP125ST25511	125	178.5	194.0	103.0	20	25/40	328.8	3.0
FOP150ST25511	150	193.5	224.0	125.2	20	25/40	477.5	3.6
FOP200ST40511	200	226.5	290.0	164.0	25	40	826.0	7.1
FOP200ST25511	200	223.5	284.0	164.0	20	25	826.0	5.3
FOP250ST25511	250	251.5	340.0	202.5	20	25	1218.0	6.8
FOP300ST25511	300	281.5	400.0	243.5	20	25	1794.0	9.0
FOP350ST25511	350	310.0	457.0	270.0	20	25	2128.3	13.7
FOP400ST25511	400	338.5	514.0	308.0	20	25	2765.8	16.4
FOP450ST25511	450	363.5	564.0	342.0	30	25	3375.4	27.0
FOP500ST25511	500	393.5	624.0	388.0	30	25	4407.1	32.5
FOP600ST25511	600	446.5	730.0	478.0	30	25	6860.9	39.6

Dimensions are in millimeters

Product Specification

N°	Name	Material
1	Body	Stainless Steel SS 304
2	Extension rod	Stainless Steel SS 304
3	Test point	DZR Brass

FIVC Metering Station

Stainless Steel – PN 40 / PN 25 – Wafer – EN 1092-2

Flowrate Measurement Graph

