

FIVC Butterfly Valve

Ductile Iron – PN 16 – Lugged – Gearbox – Vulcanized – w/Pin – EN 1092-2



LUG series

Technical data

Main features and materials

- Body: Ductile Iron
- Disc: Stainless Steel
- Pin: Stainless Steel
- Stem: Stainless Steel
- Seat: Vulcanized EPDM
- Operation: Gearbox in Ductile Iron
- Coating: RAL 5015 (thickness 250 micron)
- USP: Dead-end/center service
- Standard: Standard acc. to BS EN 593
- Dimensions: Face-to-Face acc. to BS EN 558 (series 20)
- Type:
 - Drilling: PN 16
 - Shaft: SS AISI 431
 - Thread: Metric
- Testing: BS EN 12266-1
- Shell pressure: 2.40 MPa
- Sealing pressure: 1.76 MPa

Field of applications

- Temperature range: -20 to 120 °C
- Max. working pressure: 16 bar

- Petrochemical industry
- Irrigation systems
- Compressed air
- Textile industry
- Mechanical industry

Description

FIVC Lugged Butterfly Valve with vulcanized seat is designed to be installed in pipelines for isolating or regulating purposes. With its high-quality rotational disc, the valve features quick shut-off function.

Due to the integrated pin in the disc, the butterfly valve features much higher strength and can work in higher pressure conditions. The vulcanized seat ensures that the valve is both suitable for center service and end-of-line service. Furthermore, the valve can be closed and opened precisely because of the non-gap between the shaft and disc.

Declaration

The product has been inspected and tested in accordance with the European PED Directive N° 2014/68/EU, dated 15/05/2014 and is CE marked.

Alternative Product Versions

| Disc | Construction | Seat | Operation |
|--|--|---|---|
| <ul style="list-style-type: none"> • Alu-Bronze • Ductile Iron | <ul style="list-style-type: none"> • Pinless | <ul style="list-style-type: none"> • Replaceable • Other seats upon request | <ul style="list-style-type: none"> • 15° Notch hand lever • Other operations upon request |
| Threading | Drilling | PN | Size |
| <ul style="list-style-type: none"> • UNC • Whitworth | <ul style="list-style-type: none"> • PN 20 • PN 25 • ANSI 150 | <ul style="list-style-type: none"> • PN 20 • PN 25 | <ul style="list-style-type: none"> • DN 40+ |

Product Information

| Product code | Size | H | H1 | H3 | L | ØD2 | N-M | a°-b° | C | F | ØV | Kg | OTV (N.m) | BTV (N.m) | Gearbox | | |
|---------------------|------|-----|-----|-----|-----|-----|--------|-------|-----|-----|-----|------|-----------|-----------|---------|-------|-------------|
| | | | | | | | | | | | | | | | OT N-M | Ratio | N° of turns |
| LUGN50065MDVEPV1623 | 65 | 140 | 94 | - | 46 | 145 | 4-M16 | 45.0 | 65 | 154 | 135 | 9.0 | 17.2 | 86 | 200 | 24:1 | 6.0 |
| LUGN50080MDVEPV1623 | 80 | 145 | 105 | - | 46 | 160 | 8-M16 | 22.5 | 65 | 154 | 135 | 9.5 | 23.1 | 86 | 200 | 24:1 | 6.0 |
| LUGN50100MDVEPV1623 | 100 | 160 | 126 | - | 52 | 180 | 8-M16 | 22.5 | 65 | 154 | 135 | 12.0 | 39.8 | 169 | 200 | 24:1 | 6.0 |
| LUGN50125MDVEPV1623 | 125 | 170 | 140 | - | 56 | 210 | 8-M16 | 22.5 | 65 | 154 | 135 | 17.0 | 61.9 | 291 | 200 | 24:1 | 6.0 |
| LUGN50150MDVEPV1623 | 150 | 190 | 151 | - | 56 | 240 | 8-M20 | 22.5 | 65 | 154 | 135 | 18.0 | 102 | 291 | 200 | 24:1 | 6.0 |
| LUGN50200MDVEPV1623 | 200 | 220 | 183 | - | 60 | 295 | 12-M20 | 15.0 | 77 | 225 | 285 | 27.5 | 192 | 465 | 500 | 30:1 | 7.5 |
| LUGN50250MDVEPV1623 | 250 | 260 | 217 | - | 68 | 355 | 12-M24 | 15.0 | 77 | 225 | 285 | 40.0 | 323 | 993 | 500 | 30:1 | 7.5 |
| LUGN50300MDVEPV1623 | 300 | 290 | 252 | - | 78 | 410 | 12-M24 | 15.0 | 80 | 215 | 285 | 59.0 | 490 | 1360 | 1200 | 50:1 | 12.5 |
| LUGN50350MDVEPV1623 | 350 | 320 | 285 | - | 78 | 470 | 16-M24 | 11.25 | 80 | 215 | 285 | 67.5 | 625 | 1360 | 1200 | 50:1 | 12.5 |
| LUGN50400MDVEPV1623 | 400 | 356 | 315 | 271 | 102 | 525 | 16-M27 | 11.25 | 56 | 124 | 385 | 99 | 846 | 2356 | 1800 | 80:1 | 20 |
| LUGN50450MDVEPV1623 | 450 | 387 | 384 | 271 | 114 | 585 | 20-M27 | 9.0 | 56 | 124 | 385 | 152 | 1170 | 4120 | 1800 | 80:1 | 20 |
| LUGN50500MDVEPV1623 | 500 | 424 | 390 | 271 | 127 | 650 | 20-M30 | 9.0 | 121 | 256 | 285 | 191 | 1421 | 4120 | 2500 | 560:1 | 140 |
| LUGN50600MDVEPV1623 | 600 | 524 | 455 | 330 | 154 | 770 | 20-M33 | 9.0 | 130 | 285 | 385 | 298 | 2301 | 6781 | 4000 | 640:1 | 160 |
| LUGN50700MDVEPV1623 | 700 | 600 | 530 | 378 | 165 | 840 | 24-M33 | 7.5 | 149 | 337 | 425 | 431 | 4253 | 10961 | 8000 | 704:1 | 176 |
| LUGN50750MDVEPV1623 | 750 | 660 | 539 | 378 | 167 | 900 | 24-M36 | 7.5 | 149 | 337 | 425 | 476 | 4980 | 10961 | 8000 | 704:1 | 176 |
| LUGN50800MDVEPV1623 | 800 | 666 | 576 | 378 | 190 | 950 | 24-M36 | 7.5 | 149 | 337 | 425 | 568 | 5600 | 10961 | 8000 | 704:1 | 176 |

Dimensions are in millimeters • OTV: Operation Torque Value • BTV: Breaking Torque Value

LUGN5_MDVEPV_1623 01.2024

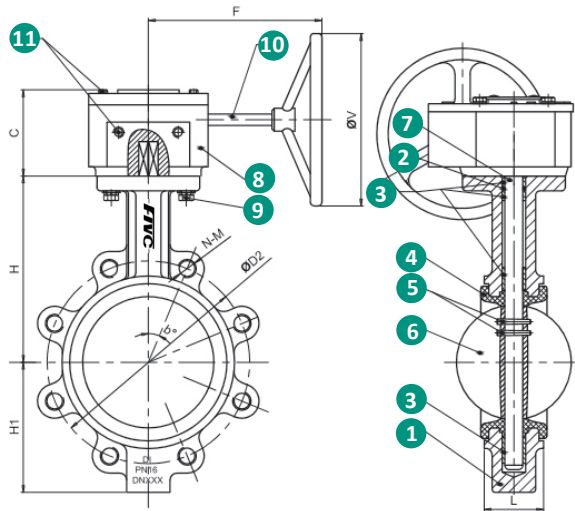
All data sheets are subject to changes without prior notice · www.flowconivc.com

FIVC Butterfly Valve

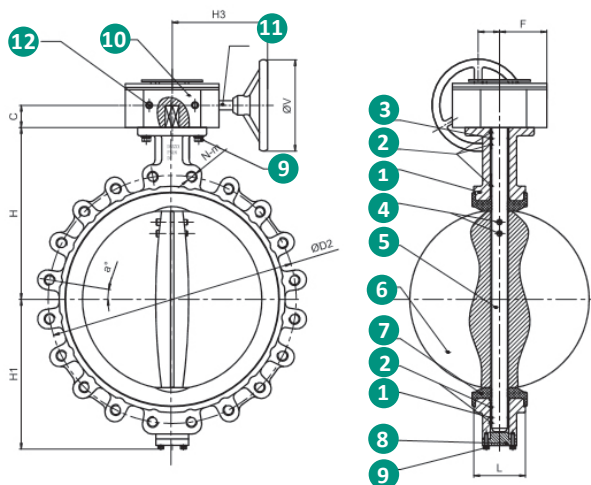
Ductile Iron – PN 16 – Lugged – Gearbox – Vulcanized – w/Pin – EN 1092-2

Dimensions

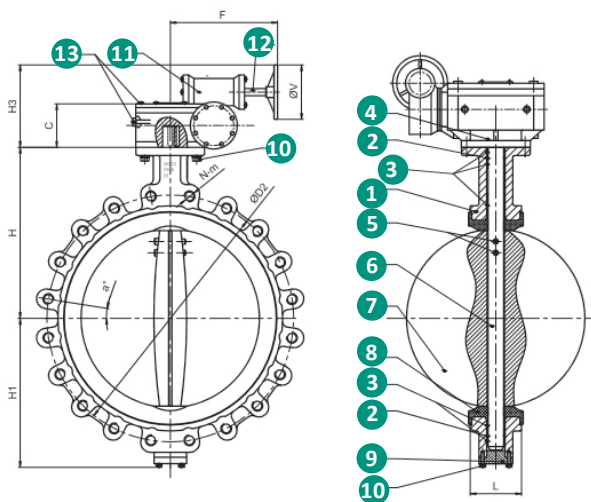
DN 65-350



DN 400-450



DN 500-800



Product Specification

| N° | Name | Material |
|----|-------------|------------------------|
| 1 | Body | Ductile Iron GGG40 |
| 2 | O-Ring | NBR |
| 3 | Bushing | Brass |
| 4 | Seat | Vulcanized EPDM |
| 5 | Pin | Stainless Steel SS 316 |
| 6 | Disc | Stainless Steel CF8M |
| 7 | Stem | Stainless Steel 431 |
| 8 | Gearbox | Ductile Iron GGG40 |
| 9 | Bolt | Stainless Steel 316 |
| 10 | Input Shaft | Stainless Steel 304 |
| 11 | Bolt | Stainless Steel 304 |

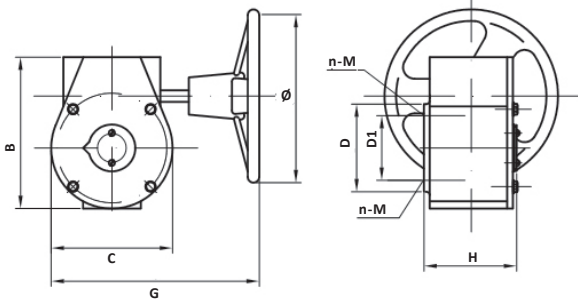
| N° | Name | Material |
|----|----------------------|----------------------|
| 1 | Body | Ductile Iron GGG40 |
| 2 | Bushing | Brass |
| 3 | O-Ring | NBR |
| 4 | Pin | Stainless Steel 316 |
| 5 | Stem | Stainless Steel 431 |
| 6 | Disc | Stainless Steel CF8M |
| 7 | Seat | Vulcanized EPDM |
| 8 | Cover | Ductile Iron GGG40 |
| 9 | Bolt and accessories | Stainless Steel 316 |
| 10 | Gearbox | Ductile Iron GGG40 |
| 11 | Input Shaft | Stainless Steel 304 |
| 12 | Bolts | Stainless Steel 304 |

| N° | Name | Material |
|----|----------------------|----------------------|
| 1 | Body | Ductile Iron GGG40 |
| 2 | O-Ring | NBR |
| 3 | Bushing | Brass |
| 4 | Key | Carbon Steel |
| 5 | Pin | Stainless Steel 316 |
| 6 | Stem | Stainless Steel 431 |
| 7 | Disc | Stainless Steel CF8M |
| 8 | Seat | Vulcanized EPDM |
| 9 | Cover | Ductile Iron GGG40 |
| 10 | Bolt and accessories | Stainless Steel 316 |
| 11 | Gearbox | Ductile Iron GGG40 |
| 12 | Input Shaft | Stainless Steel 304 |
| 13 | Bolts | Stainless Steel 304 |

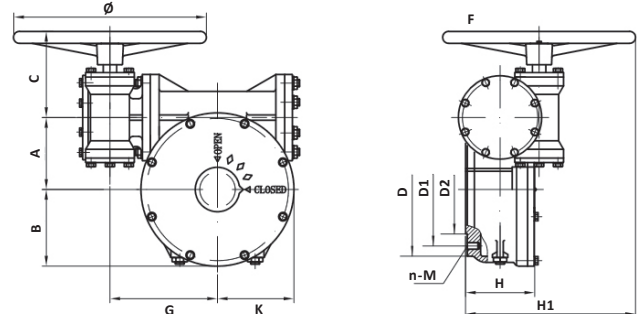
FIVC Butterfly Valve

Ductile Iron – PN 16 – Lugged – Gearbox – Vulcanized – w/Pin – EN 1092-2

DN 65-450



DN 500-800



Gearbox Dimensions

| Valve size | A | B | C | D | D1 | D2 | H | H1 | G | K | ∅ | n-M |
|------------|-----|-----|-----|-----|-----|-----|-----|-----|-----|-----|-----|-------|
| 65-150 | - | 125 | 102 | 90 | 70 | - | 65 | | 203 | - | 135 | - |
| 200-250 | - | 167 | 141 | 125 | 102 | - | 79 | | 295 | - | 285 | - |
| 300-350 | - | 188 | 152 | 175 | 140 | - | 80 | | 291 | - | 285 | - |
| 400-450 | - | 279 | 247 | 210 | 165 | | 109 | | 336 | | 390 | |
| 500 | 100 | 107 | 156 | 210 | 165 | 130 | 125 | 271 | 168 | 107 | 285 | 4-M20 |
| 600 | 125 | 131 | 160 | 210 | 165 | 130 | 136 | 330 | 193 | 131 | 385 | 4-M20 |
| 700-800 | 140 | 146 | 197 | 300 | 254 | 200 | 149 | 378 | 230 | 146 | 425 | 8-M16 |

Dimensions are in millimeters