

FIVC Butterfly Valve

Ductile Iron – PN 25 – Wafer – Gearbox – Vulcanized – w/Pin – EN 1092-2



WAF series

Technical data

Main features and materials

- Body: Ductile Iron
- Disc: Stainless Steel
- Pin: Stainless Steel
- Stem: Stainless Steel
- Seat: Vulcanized EPDM
- Operation: Gearbox in Ductile Iron
- Coating: Epoxy
- USP: Maintenance and installation efficient
- Standard: BS EN 593
- Dimensions: Face-to-Face acc. to EN 558 (series 20)
- Inspection test: BS EN 12266-1
- Type:
 - Drilling: PN 25
 - Shaft: DN 65-350: SS AISI 316
DN 400+: SS AISI 630
 - Thread: Wafer

Field of applications

- Temperature range: -15 to 120 °C
- Max. working pressure: 25 bar
- Water treatment plants and Water distribution
- HVAC (Heat Ventilation Air Conditioning)
- Fire fighting
- General services
- Irrigation
- Shipbuilding
- Powdery products

Description

FIVC Wafer Butterfly Valve with its vulcanized seat is designed to be installed in pipelines for isolating or regulating purposes. With its high quality rotational disc, the valve features quick shut-off function.

Due to the integrated pin in the disc, the butterfly valve features much higher strength and can work in higher pressure conditions. Furthermore, the valve can be closed and opened precisely because of the non-gap between the shaft and disc.

Declaration

The product has been inspected and tested in accordance with the European PED Directive N° 2014/68/EU, dated 15/05/2014 and is CE marked.

Alternative Product Versions

Disc	Construction	Seat	Operation
<ul style="list-style-type: none"> • Alu-Bronze • Ductile Iron 	<ul style="list-style-type: none"> • Pinless 	<ul style="list-style-type: none"> • Replaceable • Other seats upon request 	<ul style="list-style-type: none"> • 15° Notch hand lever • Other operations upon request
Drilling	PN	Size	
<ul style="list-style-type: none"> • PN 16 • PN 20 • ANSI 150 	<ul style="list-style-type: none"> • PN 16 • PN 20 	<ul style="list-style-type: none"> • DN 40+ 	

Product Information

Product code	Size (DN)	H*	H1*	L*	ØD2*	N-M	b° or a°	E*	F*	Øv* or V*	Kg	OTV (N.m)	BTV (N.m)	Gearbox		
														OT N-M	Ratio	N° of turns
WAFN50065MDVEPV2520	65	140	94	46	145	4-Ø19	22.5	65	154	135	9.5	26	86	200	24:1	6
WAFN50080MDVEPV2520	80	145	105	46	160	4-Ø19	22.5	65	154	135	10.6	35	86	200	24:1	6
WAFN0100MDVEPV2520	100	160	126	52	190	4-Ø23	22.5	65	154	135	12.5	60	169	200	24:1	6
WAFN50125MDVEPV2520	125	170	140	56	220	4-Ø28	22.5	65	154	135	15	93	291	200	24:1	6
WAFN50150MDVEPV2520	150	190	151	56	250	4-Ø28	22.5	65	154	135	17	153	291	200	24:1	6
WAFN50200MDVEPV2520	200	220	183	60	310	4-Ø28	15	77	225	285	30	288	992	500	32:1	8
WAFN50250MDVEPV2520	250	260	217	68	370	4-Ø31	15	77	225	285	38	485	1360	500	32:1	8
WAFN50300MDVEPV2520	300	290	252	78	430	4-Ø31	11.25	80	215	285	55	735	1563	1200	50:1	12.5
WAFN50350MDVEPV2520	350	320	285	78	490	4-Ø34	11.25	80	215	285	70	938	2356	1200	50:1	12.5
WAFN50400MDVEPV2521	400	356	325	102	550	4-Ø37	11.25	121	256	285	145	1269	3928	2.5x10 ³	560:1	140
WAFN50450MDVEPV2521	450	387	384	114	600	4-Ø37	9	121	256	285	170	1697	5072	2.5x10 ³	560:1	140
WAFN50500MDVEPV2521	500	424	392	127	660	4-Ø37	9	121	256	285	230	2147	6788	2.5x10 ³	560:1	140
WAFN50600MDVEPV2521	600	524	455	154	770	4-Ø41	9	-	285	385	300	3452	10780	4x10 ³	506:1	140

*Dimensions are in millimeters • OTV: Operation Torque Value • BTV: Breaking Torque Value

WAFN5_MDVEPV_2520 11.2019

All data sheets are subject to changes without prior notice

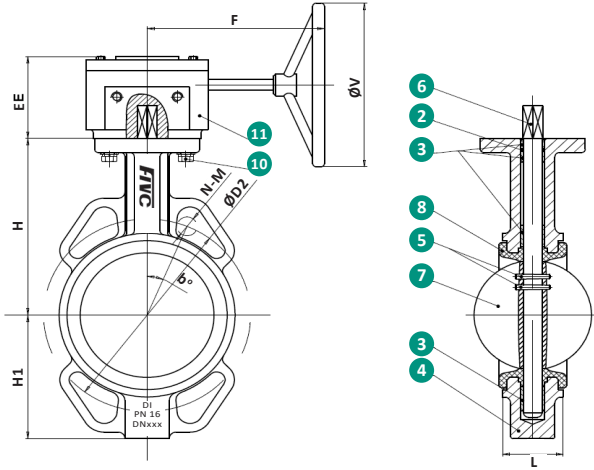
www.flowconivc.com

FIVC Butterfly Valve

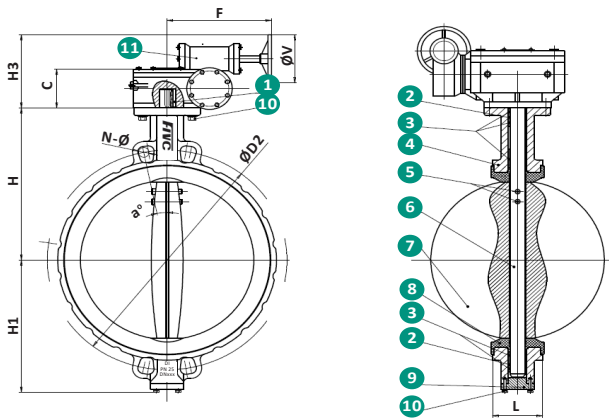
Ductile Iron – PN 25 – Wafer – Gearbox – Vulcanized – w/Pin – EN 1092-2

Dimensions

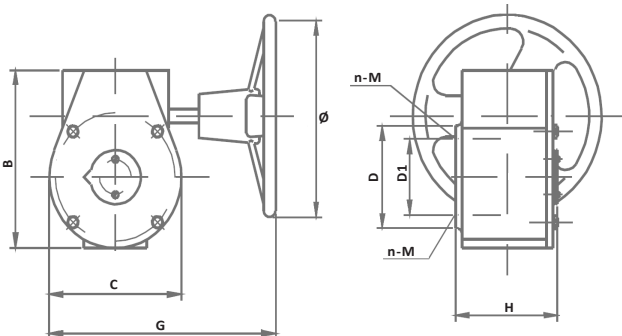
DN 65-350



DN 400-600



DN 65-350



Product Specification

N°	Name	Material
1	Key Only for DN 600+	Carbon Steel (2 pcs)
2	O-Ring	NBR
3	Bushing	Brass
4	Body	Ductile Iron
5	Pin	Stainless Steel SS 316 DN 40-100: 1 pcs. DN 125+: 2 pcs.
6	Stem	DN 65-350: Stainless Steel SS 316 DN 400+: Stainless Steel SS 630
7	Disc	Stainless Steel CF8M
8	Seat	Vulcanized EPDM
9	Cover	Ductile Iron
10	Bolts and accessories	Stainless Steel SS 316
11	Gearbox	Ductile Iron

Gearbox Dimensions

Valve size (DN)	A*	B*	C*	D*	D1*	D2*	E-H*	F*	G*	K*	ϕ^*	n-M
65-150	-	125	102	92	70	-	65	-	203	-	135	-
200-250	-	167	141	125	102	-	79	-	295	-	285	-
300-350	-	188	152	125	102	-	80	-	291	-	285	-
400-500	100	107	162	175	140	100	67	60	170	107	285	4-M16/ 4-M20
600	125	131	172	276	165	-	65	66	192	131	385	4-M20
700-800	140	146	200	300	254	200	72	88	224	146	425	8-M16

*Dimensions are in millimeters

DN 400 – 800

