

FlowCon By-Pass Unit

3 Way By-Pass Unit



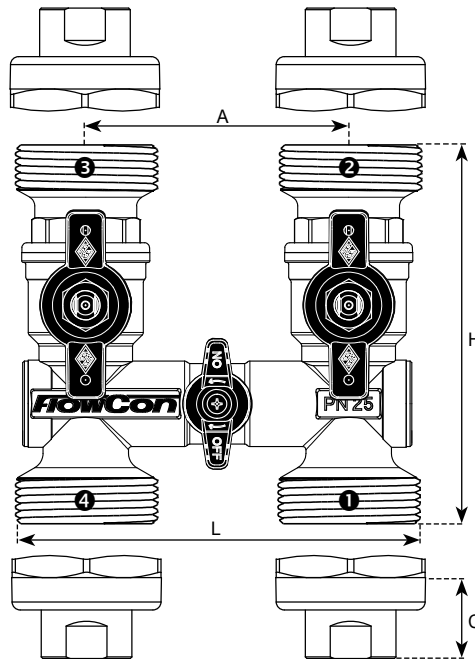
SPECIFICATIONS

Pressure rating:	2500 kPa / 360 psi
Temperature rating, media:	-20°C to +120°C / -4°F to +248°F
Material:	
- Body:	Forged brass ASTM CuZn40Pb2
- Ball valves:	Chemically nickel plated brass balls
- Union end connections:	Brass alloy ISO or NPT
- O-rings:	EPDM (70 shore)

DIMENSIONS AND WEIGHTS (NOMINAL) (measured in mm unless noted)

Model no.	L	H	A	End connections C ¹				Weight (kgs.) (w/o end conn.)
				Size	ISO female	ISO male	Sweat	
F3890.4.M.X.X.X.X.X	122	114.8	80.2	15	22	25	20	1.2
				20	22	25	20	1.2
				25	N/A	39	22	1.2

Note 1: Add end connection length to body length.



MODEL NUMBER SELECTION

F3890 . 4 . M

Insert by-pass size:
4=four union ends connection

Insert connection type, fixed end:
M=male

Insert connection size and type, union end:

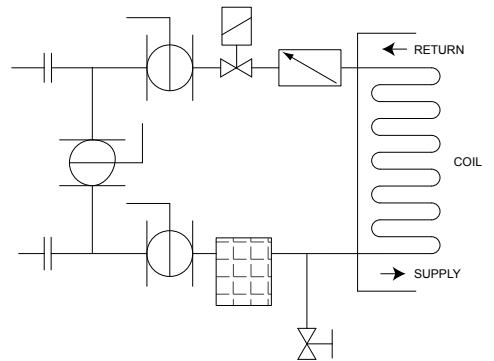
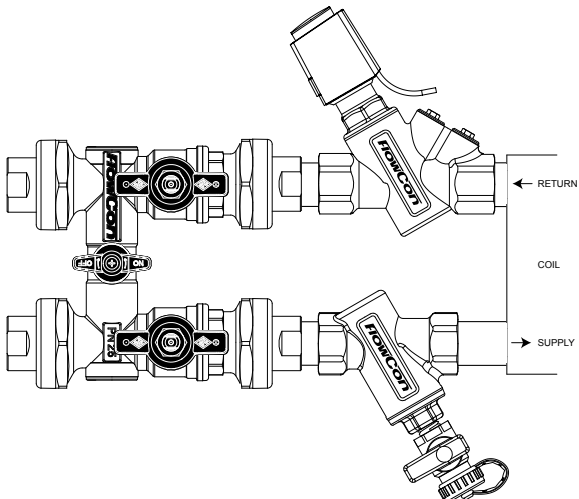
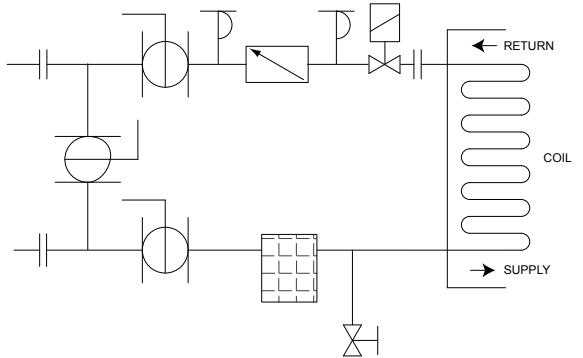
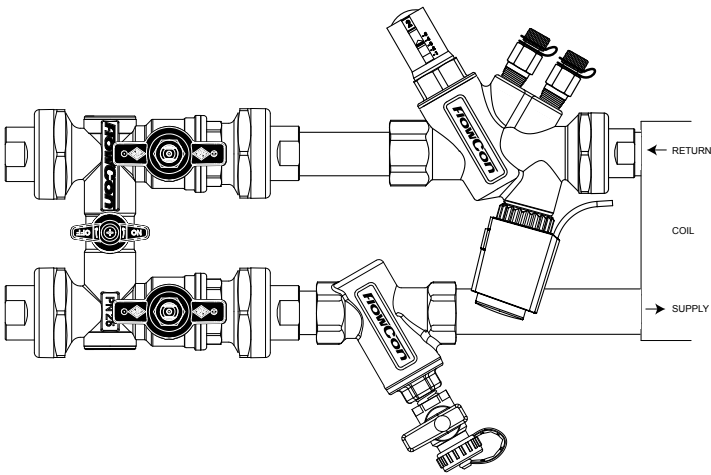
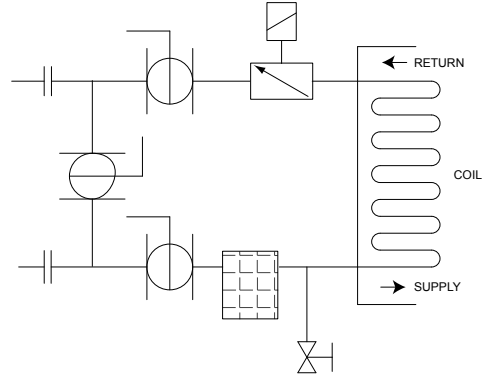
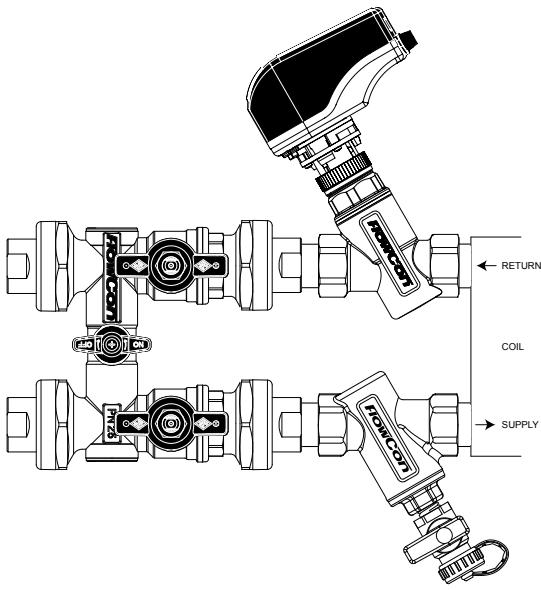
Body size	Female threaded	Male treaded	Sweat
Union end 15-25mm, 1/2"-1"	E =15mm=1/2" F =20mm=3/4"	H =15mm=1/2" I =20mm=3/4" J =25mm=1"	K =15mm L =18mm M =22mm

Insert connection standard:
I=ISO (standard) **N**=NPT

0=not assembled
1=assembled
2=assembled and pressure tested

Example: F3890.4.M.H.H.H.H.I.0=By-pass unit with 15mm ISO male union end connections, not assembled.

APPLICATION EXAMPLE



UPDATES

For latest updates please see www.flowcon.com

FlowCon International can accept no responsibility for possible errors in any printed material.
All rights reserved.