

APPLICATION

To balance the flow in branches. Light-weight, compact and space saving wafer design with specially-designed stainless steel memory stop of the gear operator for fine control. Self-locking double regulating function to overcome dynamic closure. Once set, the valve can be closed and re-opened accurately to the pre-set differential pressure. The close-coupled stainless steel orifice plate is to measure and enable the flow rate to be set within an accuracy of $\pm 5\%$.

SPECIFICATION

Double Regulating Butterfly Valve

Body: Carbon Steel A216WCB
 Disc: Stainless Steel X21Cr13
 Seat: R-PTFE [25% fiberglass-reinforced PTFE]
 Shaft: Stainless Steel Z20C13
 Connection: Wafer pattern

- Features:
- Double offset disc
 - Zero seat wear
 - Valve sealing integrity
 - 100% product tested

Test/Certification: Bureau Veritas
 Testing according to API598

Size: Standard: 65mm—200mm, smaller and larger sizes available on request

Orifice Plate

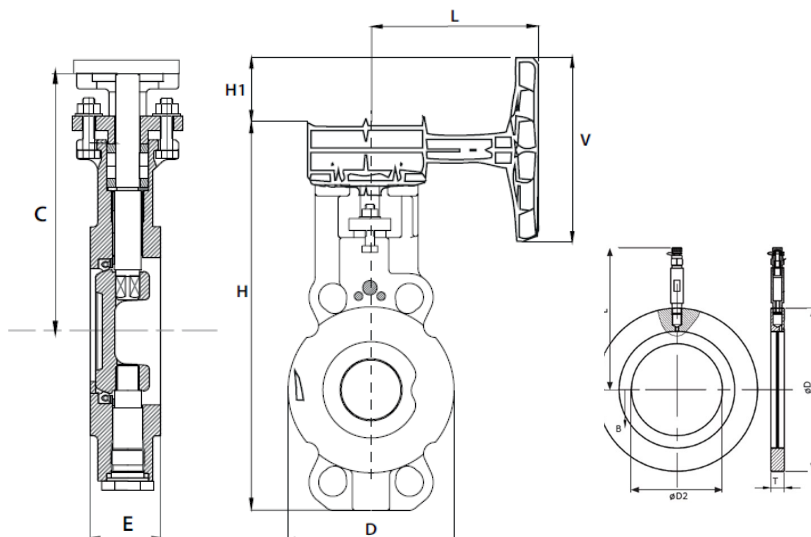
Body & Extension Rod: Stainless Steel SS304
 Test Points: DZR Brass
 Tests: Inspected acc. to SEP & European PED #2014/68/EU, 15/05/2014, exempted from CE marking (Cf. Art. 4.3)

Temperature Range: -20 to 120 °C

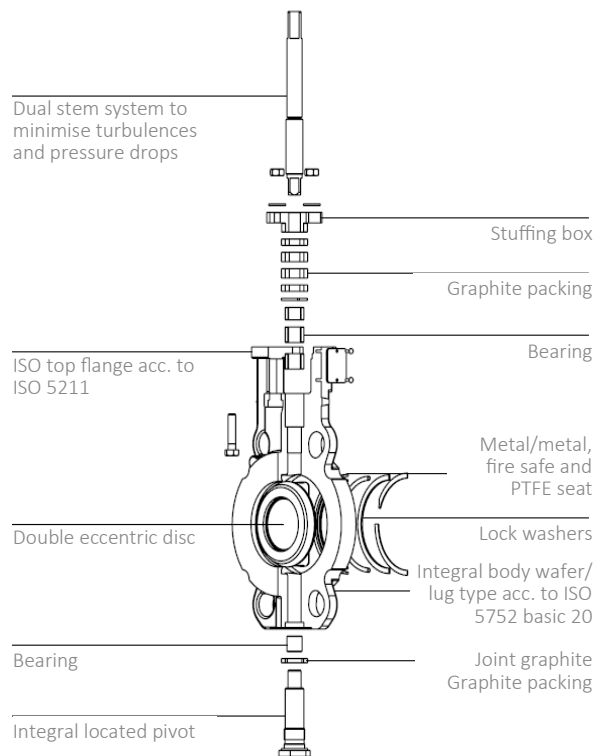
Max. Working Pressure: 40 Bar

PRODUCT CODES AND DIMENSIONS

Product Code	Double Regulating Butterfly Valve								Orifice Plate				
	DN	C	D	E	H	H1	L	V	L	ØD	ØD2	T	Kvs
5590B 10G DRV OP	65	170	125	47	224	44	155	160	145	127	54	20	88.6
5590B 11G DRV OP	80	174	140	47	228	50	155	160	152.5	142	65	20	150.6
5590B 12G DRV OP	100	206	163	53	260	67	155	160	165.5	168	84	20	281.1
5590B 13G DRV OP	125	215	193	57	269	81	155	160	178.5	194	103	20	328.8
5590B 14G DRV OP	150	317	253	56	401	142	213	200	193.5	224	125.2	20	477.5
5590B 16G DRV OP	200	349	307	60	414	184	213	200	223.5	284	164	25	826



COMPOSITION BUTTERFLY VALVE



INSTALLATION DIAGRAM

For all sizes: Spool piece length = line size diameter. The free length upstream = 6x line size Ø.

Note: The spool piece in the drawing is supplied by the contractor.

