

FIVC Butterfly Valve

Ductile Iron – PN 16 – Wafer – Handlever – Replaceable – w/Pin – WRAS – EN 1092-2



WAF series

Technical data

Main features and materials

- Body: Ductile Iron
- Disc: Stainless Steel
- Pin: Stainless Steel
- Stem: Stainless Steel
- Seat: Replaceable EPDM
- Operation: 15° Notch hand lever in Ductile Iron
- Coating: Epoxy
- USP: Maintenance and installation efficient
WRAS approval
- Standard: BS EN 593
- Dimensions: BS EN 1092-2
- Type: Drilling: PN 16
Shaft: SS AISI 410
Thread: Wafer

Field of applications

- Temperature range: -15 to 85 °C
- Max. working pressure: 16 bar
- Water treatment plants and Water distribution
- HVAC (Heat Ventilation Air Conditioning)
- Fire fighting
- General services
- Irrigation
- Shipbuilding
- Powdery products

Description

FIVC Wafer Butterfly Valve with its replaceable seat is designed to be installed in pipelines for isolating or regulating purposes. With its high quality rotational disc, the valve features quick shut-off function.

Due to the integrated pin in the disc, the butterfly valve features much higher strength and can work in higher pressure conditions. Furthermore, the valve can by the high-quality gearbox be closed and opened precisely because of the non-gap between the shaft and disc.

The valve can be used for drinking water.

Declaration

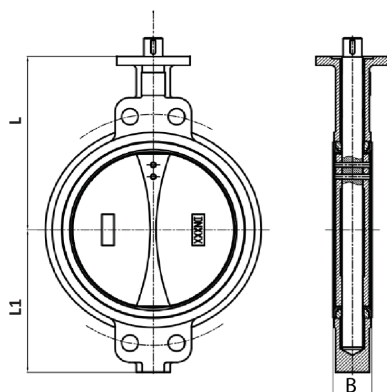
The product has been inspected and tested in accordance with the European PED Directive N° 2014/68/EU, dated 15/05/2014.



Alternative Product Versions

Disc	Standard	Seat	Operation
<ul style="list-style-type: none"> • Ductile Iron 	<ul style="list-style-type: none"> • BS 5155 • ISO 5752 • MSS SP-67 • API 609 	<ul style="list-style-type: none"> • Vulcanized 	<ul style="list-style-type: none"> • Gearbox • Other operations upon request
Drilling	PN	Size	
<ul style="list-style-type: none"> • PN 20 • PN 25 • ANSI 150 	<ul style="list-style-type: none"> • PN 10 • PN 25 	<ul style="list-style-type: none"> • DN 50+ 	

Dimensions



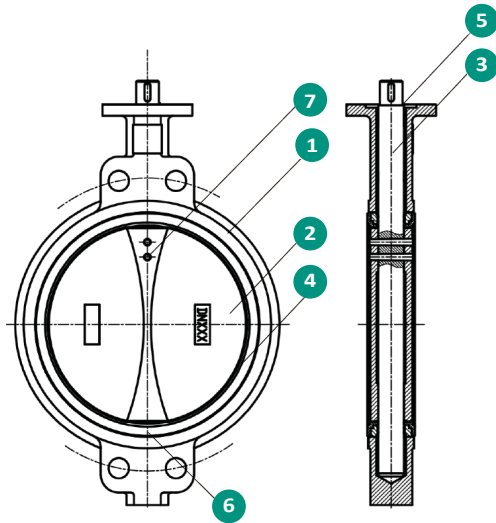
Product code	Size (DN)	L*	L1*	B*
WAFN50065MNEPR1632	65	175	86	44.5
WAFN50080MNEPR1632	80	181	94	44.5
WAFN50100MNEPR1632	100	200	112.4	51
WAFN50125MNEPR1632	125	213	130	54.5
WAFN50150MNEPR1632	150	226	149.8	54.5
WAFN50200MNEPR1632	200	260	190	59.6
WAFN50250MNEPR1632	250	292	225	67
WAFN50300MNEPR1632	300	337	255	75.5
WAFN50350MNEPR1632	350	368	302	75.5
WAFN50400MNEPR1632	400	400	354	102
WAFN50450MNEPR1632	450	422	385	114
WAFN50500MNEPR1632	500	480	438	130
WAFN50600MNEPR1632	600	562	464	151

*Dimensions are in millimeters

FIVC Butterfly Valve

Ductile Iron – PN 16 – Wafer – Handlever – Replaceable – w/Pin – WRAS – EN 1092-2

Dimensions



Product Specification

N°	Name	Material
1	Body	Ductile Iron A536 Gr. 65-45-12
2	Disc	Stainless Steel A351 CF8M
3	Shaft	Stainless Steel A276 SS 410
4	Seat	EPDM
5	O-Ring	EPDM
6	Bushing	Bronze B62 C83600
7	Pin	Stainless Steel BS970 316S11