

FlowCon MS15

Extended Metering Station
DN15 / 1/2"



SPECIFICATIONS

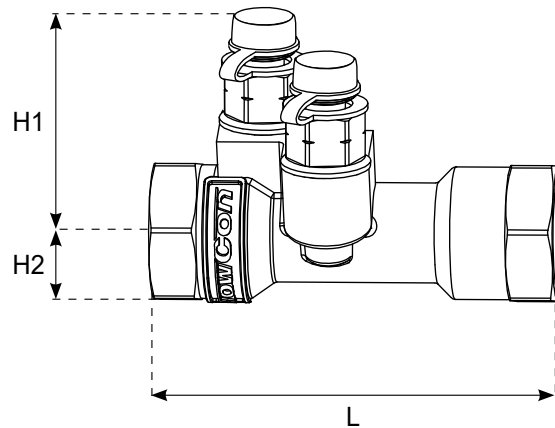
Pressure rating:	2500 kPa / 360 psi up to 100°C (<212°F) 2000 kPa / 290 psi above 100°C (>212°F)
Media temperature:	-10°C to +130°C / 50°F to +266°F
Material:	
- Housing:	DZR brass EN12164 CW602N
- Venturi insert:	DZR brass EN12164 CW602N
- P/t plugs:	DZR brass EN12164 CW602N
- P/t gasket:	EPDM
- P/t ribbon:	Polypropylene
End connections:	Fixed female ISO
Housing taps:	1/4" ISO
P/t plugs connection:	Fixed male 1/4" ISO 228/1

DIMENSIONS AND WEIGHT (NOMINAL)

Model no.	Valve size mm (in)	L mm (in)	H1 mm (in)	H2 mm (in)	Weight ¹	Kv/Cv venturi ²	Kv/Cv valve
					kg (lb)	m ³ /hr (GPM)	m ³ /hr (GPM)
MS.15-1	15 (1/2)	81 (3.19)	43.4 (1.71)	15 (0.59)	0.266 (0.586)	0.26 (0.31)	0.33 (0.38)
MS.15-2					0.266 (0.586)	0.55 (0.64)	0.56 (0.65)
MS.15-3					0.265 (0.584)	1.15 (1.34)	1.23 (1.43)
MS.15-4					0.265 (0.584)	2.80 (3.26)	3.41 (3.96)
MS.15-5					0.264 (0.582)	5.40 (6.28)	7.54 (8.75)

Note 1: Weight includes 2 p/t plugs.

Note 2: Venturi valve is used to calculate flow based on measured ΔP.



MODEL NUMBER SELECTION

Kv venturi value:

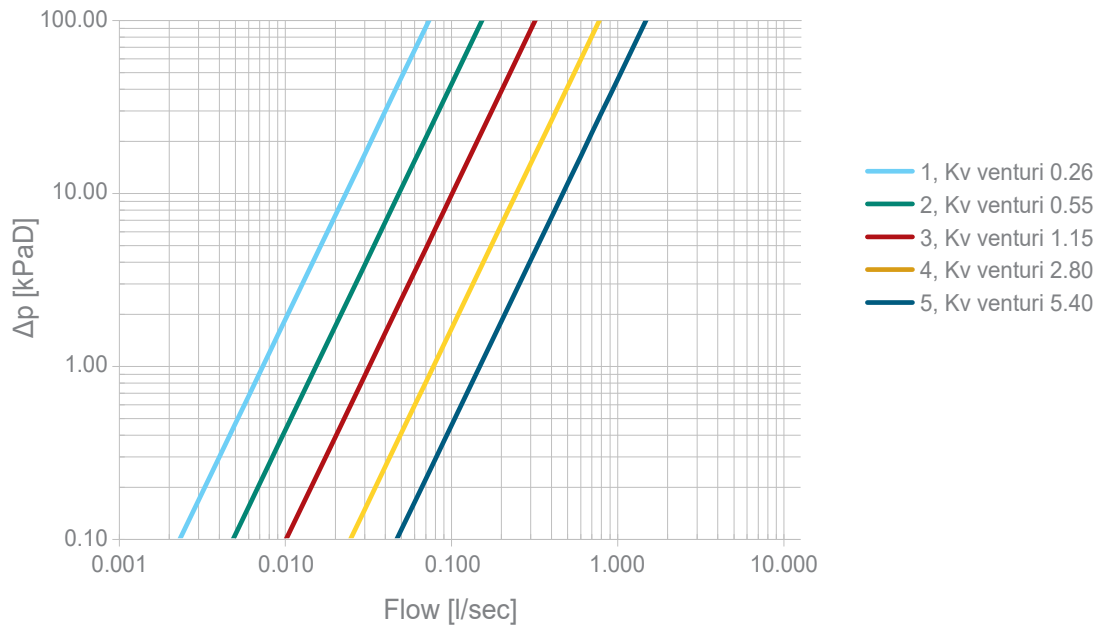
- 1** = Kv venturi of 0.26
- 2** = Kv venturi of 0.55
- 3** = Kv venturi of 1.15
- 4** = Kv venturi of 2.80
- 5** = Kv venturi of 5.40

MS.15	.	_____

Example:

MS.15.1 = FlowCon Metering Station DN15 (1/2") with Kv venturi value equal to 0.263 (Cv venturi = 0.306).

FLOW RATES VS MEASURED DIFFERENTIAL PRESSURE



UPDATES

For latest updates please see www.flowcon.com

FlowCon International can accept no responsibility for possible errors in any printed material.
All rights reserved.