

FIVC Butterfly Valve

Ductile Iron – PN 25 – Lugged – Hand lever – Vulcanized – w/Pin – EN 1092-2



LUG series

Technical data

Main features and materials

- Body: Ductile Iron
- Disc: Stainless Steel
- Pin: Stainless Steel
- Stem: Stainless Steel
- Seat: Vulcanized EPDM
- Operation: 15° Notch hand lever - Malleable Iron
- Coating: RAL 5015 (thickness 250 micron)
- USP: Dead-end/center service
- Standard: BS EN 593
- Dimensions: Face-to-Face acc. to BS EN 558 (series 20)
- Type:
 - Drilling: PN 25
 - Shaft: SS AISI 431
 - Thread: Metric
- Testing:
 - BS EN 12266-1
 - Shell pressure: 3.75 MPa
 - Sealing pressure: 2.75 MPa

Field of applications

- Temperature range: -20 to 120 °C
- Max. working pressure: 25 bar
- Petrochemical industry
- Irrigation systems
- Compressed air
- industries
- Textile industry
- Mechanical industry

Description

FIVC Lugged Butterfly Valve with vulcanized seat is designed to be installed in pipelines for isolating or regulating purposes. With its high-quality rotational disc, the valve features quick shut-off function. Due to the integrated pin in the disc, the butterfly valve features much higher strength and can work in higher pressure conditions.

The vulcanized seat ensures that the valve is both suitable for center service and end-of-line service. Furthermore, the valve can be closed and opened precisely because of the non-gap between the shaft and disc.

Declaration

The product has been inspected and tested in accordance with the European PED Directive N° 2014/68/EU, dated 15/05/2014 and is CE marked.

Alternative Product Versions

| Disc | Construction | Seat | Operation |
|--|--|---|--|
| <ul style="list-style-type: none"> • Alu-Bronze • Ductile Iron | <ul style="list-style-type: none"> • Pinless | <ul style="list-style-type: none"> • Replaceable • Other seats upon request | <ul style="list-style-type: none"> • Gearbox • Other operations upon request |
| Threading | Drilling | PN | Size |
| <ul style="list-style-type: none"> • UNC • Whitworth | <ul style="list-style-type: none"> • PN 20 • PN 16 • ANSI 150 | <ul style="list-style-type: none"> • PN 20 • PN 16 | <ul style="list-style-type: none"> • DN 40+ |

Product Information

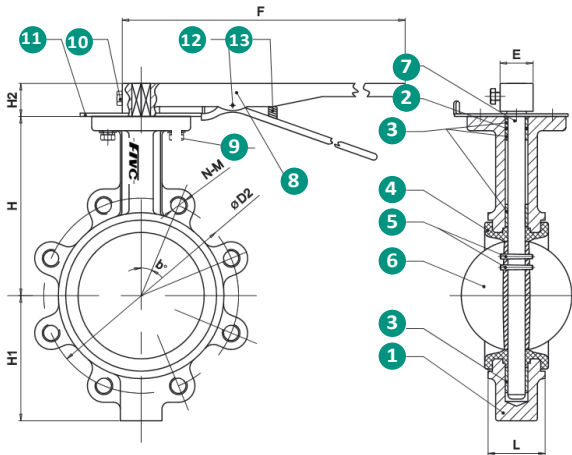
| Product code | Size | H | H1 | H2 | L | ØD2 | N-M | b° | E | F | Kg | OTV (N.m) | BTV (N.m) |
|--------------------|------|-----|-----|----|----|-----|--------|------|----|-----|------|-----------|-----------|
| LUGN50040MNEPV2529 | 40 | 105 | 73 | 32 | 33 | 110 | 4-M16 | 45.0 | 35 | 223 | 4.5 | 23 | 86 |
| LUGN50050MNEPV2529 | 50 | 130 | 85 | 32 | 33 | 125 | 4-M16 | 45.0 | 35 | 223 | 5.0 | 23 | 86 |
| LUGN50065MNEPV2529 | 65 | 140 | 94 | 32 | 46 | 145 | 8-M16 | 22.5 | 35 | 223 | 6.0 | 26 | 86 |
| LUGN50080MNEPV2529 | 80 | 145 | 105 | 32 | 46 | 160 | 8-M16 | 22.5 | 35 | 223 | 6.5 | 35 | 86 |
| LUGN50100MNEPV2529 | 100 | 160 | 126 | 32 | 52 | 190 | 8-M20 | 22.5 | 35 | 223 | 9.0 | 60 | 169 |
| LUGN50125MNEPV2529 | 125 | 170 | 140 | 32 | 56 | 220 | 8-M24 | 22.5 | 35 | 223 | 14.0 | 93 | 291 |
| LUGN50150MNEPV2529 | 150 | 190 | 151 | 32 | 56 | 250 | 8-M24 | 22.5 | 35 | 223 | 15.5 | 153 | 291 |
| LUGN50200MNEPV2529 | 200 | 220 | 183 | 35 | 60 | 310 | 12-M24 | 15.0 | 38 | 358 | 24.5 | 288 | 992 |

Dimensions are in millimeters • OTV: Operation Torque Value • BTV: Breaking Torque Value

FIVC Butterfly Valve

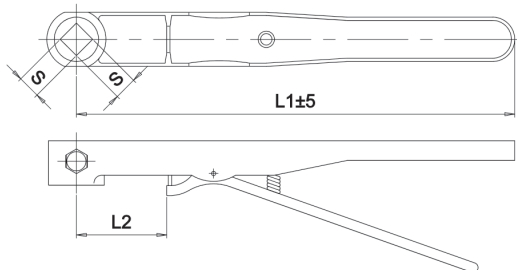
Ductile Iron – PN 25 – Lugged – Hand lever – Vulcanized – w/Pin – EN 1092-2

Dimensions



Product Specification

| N° | Name | Material |
|----|------------|------------------------|
| 1 | Body | Ductile Iron GGG40 |
| 2 | O-Ring | NBR |
| 3 | Bushing | Brass |
| 4 | Seat | EPDM - Vulcanized |
| 5 | Pin | Stainless Steel 316 |
| 6 | Disc | Stainless Steel CF8M |
| 7 | Stem | Stainless Steel 431 |
| 8 | Handle | Malleable Iron + Epoxy |
| 9 | Bolt | Stainless Steel 316 |
| 10 | Bolt | Stainless Steel 316 |
| 11 | Notch | Stainless Steel 316 |
| 12 | Splint Pin | 65 MN + Epoxy |
| 13 | Spring | 65 MN + Epoxy |



Product Information

| Product code | L1 | L2 | SxS |
|--------------|-----|----|-------|
| DN 40 | 223 | 55 | 9x9 |
| DN 50 | 223 | 55 | 9x9 |
| DN 65 | 223 | 55 | 11x11 |
| DN 80 | 223 | 55 | 11x11 |
| DN 100 | 261 | 55 | 14x14 |
| DN 125 | 261 | 55 | 14x14 |
| DN 150 | 261 | 55 | 14x14 |
| DN 200 | 358 | 76 | 17x17 |